

TOSHIBA

FILE NO. 020-200109

SERVICE MANUAL

COLOR TELEVISION

NONSP Chassis

50H81

(TAC0151)

TABLE OF CONTENTS

CHAPTER 1 GENERAL ADJUSTMENTS

SAFETY INSTRUCTIONS	3
CRT ASSEMBLY REPLACEMENT AND MOUNTING	4
PICTURE TUBE COMPONENTS ADJUSTMENT	6
REPLACEMENT OF THE CRT	8
SERVICE MODE	9
ELECTRICAL ADJUSTMENT	11
CONVERGENCE ADJUSTMENT	13
SCREEN AND MIRROR ALIGNMENTS	15
CIRCUIT CHECKS	16

CHAPTER 2 SPECIFIC INFORMATIONS

SETTING & ADJUSTING DATA	17
LOCATION OF CONTROLS	18
PROGRAMMING CHANNEL MEMORY	20
CIRCUIT BLOCK DIAGRAM	21
MECHANICAL DISASSEMBLY	23
CHASSIS REPLACEMENT PARTS LIST	25
PC BOARDS BOTTOM VIEW.....	53
TERMINAL VIEW OF TRANSISTORS	67
SPECIFICATIONS	69

APPENDIX:

CIRCUIT DIAGRAM

SAFETY INSTRUCTIONS

WARNING: BEFORE SERVICING THIS CHASSIS, READ THE "X-RAY RADIATION PRECAUTION", "SAFETY PRECAUTION" AND "PRODUCT SAFETY NOTICE" INSTRUCTIONS BELOW.

X-RAY RADIATION PRECAUTION

1. Excessive high voltage can produce potentially hazardous X-RAY RADIATION. To avoid such hazards, the high voltage must not be above the specified limit. The nominal value of the high voltage of this receiver is (A) kV at zero beam current (minimum brightness) under a 120V AC power source. The high voltage must not, under any circumstances, exceed (B) kV.

Refer to table-1 for high voltage (A), (B).
(See SETTING & ADJUSTING DATA on page 17)

Each time a receiver requires servicing, the high voltage should be checked following the HIGH VOLTAGE CHECK procedure in this manual. It is recommended that the reading of the high voltage be recorded as a part of the service record. It is important to use an accurate and reliable high voltage meter.

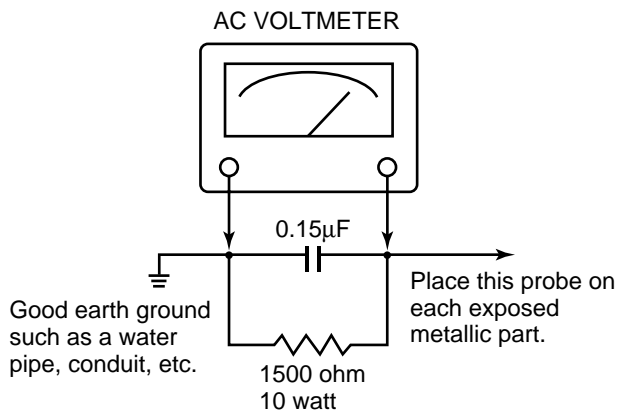
2. This receiver is equipped with a Fail Safe (FS) circuit which prevents the receiver from producing an excessively high voltage even if the B+ voltage increases abnormally. Each time the receiver is serviced, the FS circuit must be checked to determine that the circuit is properly functioning, following the FS CIRCUIT CHECK procedure in this manual.
3. The only source of X-RAY RADIATION in this TV receiver is the picture tube. For continued X-RAY RADIATION protection, the replacement tube must be exactly the same type tube as specified in the parts list.
4. Some part in this receiver have special safety-related characteristics for X-RAY RADIATION protection. For continued safety, parts replacement should be undertaken only after referring to the PRODUCT SAFETY NOTICE below.

SAFETY PRECAUTION

WARNING : Service should not be attempted by anyone unfamiliar with the necessary precautions on this receiver. The following are the necessary precautions to be observed before servicing this chassis.

1. An isolation Transformer should be connected in the power line between the receiver and the AC line before any service is performed on the receiver.
2. Always discharge the picture tube anode to the CRT conductive coating before handling the picture tube. The picture tube is highly evacuated and if broken, glass fragments will be violently expelled. Use shatter proof goggles and keep picture tube away from the unprotected body while handling.
3. When replacing a chassis in the cabinet, always be certain that all the protective devices are put back in place, such as; non-metallic control knobs, insulating covers, shields, isolation resistor-capacitor network etc.
4. Before returning the set to the customer, always perform an AC leakage current check on the exposed metallic parts of the cabinet, such as antennas, terminals, screwheads, metal overlays, control shafts etc. to be sure the set is safe to operate without danger of electrical shock. Plug the AC line cord directly into a 120V AC outlet (do not use a line isolation transformer during this check). Use an AC voltmeter having 5000 ohms per volt or more sensitivity in the following manner:

Connect a 1500 ohm 10 watt resistor, paralleled by a 0.15 μ F, AC type capacitor, between a known good earth ground (water pipe, conduit, etc.) and the exposed metallic parts, one at a time. Measure the AC voltage across the combination of 1500 ohm resistor and 0.15 μ F capacitor. Reverse the AC plug at the AC outlet and repeat AC voltage measurements for each exposed metallic part. Voltage measured must not exceed 0.3 volts rms. This corresponds to 0.2 milliamp. AC. Any value exceeding this limit constitutes a potential shock hazard and must be corrected immediately.



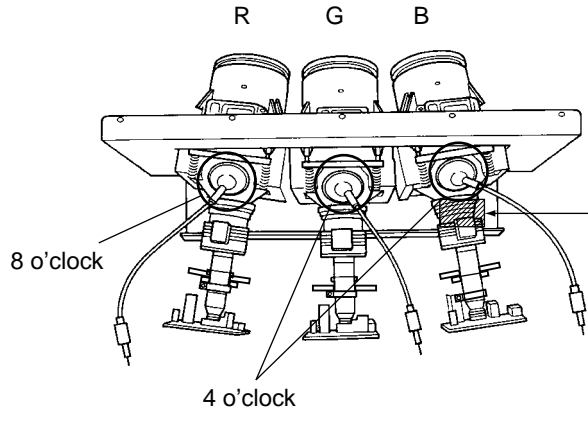
PRODUCT SAFETY NOTICE

Many electrical and mechanical parts in this chassis have special safety-related characteristics. These characteristics are often passed unnoticed by a visual inspection and the protection afforded by them cannot necessarily be obtained by using replacement components rated for higher voltage, wattage, etc. Replacement parts which have these special safety characteristics are identified in this manual and its supplements; electrical components having such features are identified by the international hazard symbols on the schematic diagram and the parts list.

Before replacing any of these components, read the parts list in this manual carefully. The use of substitute replacement parts which do not have the same safety characteristics as specified in the parts list may create shock, fire, X-ray radiation or other hazards.

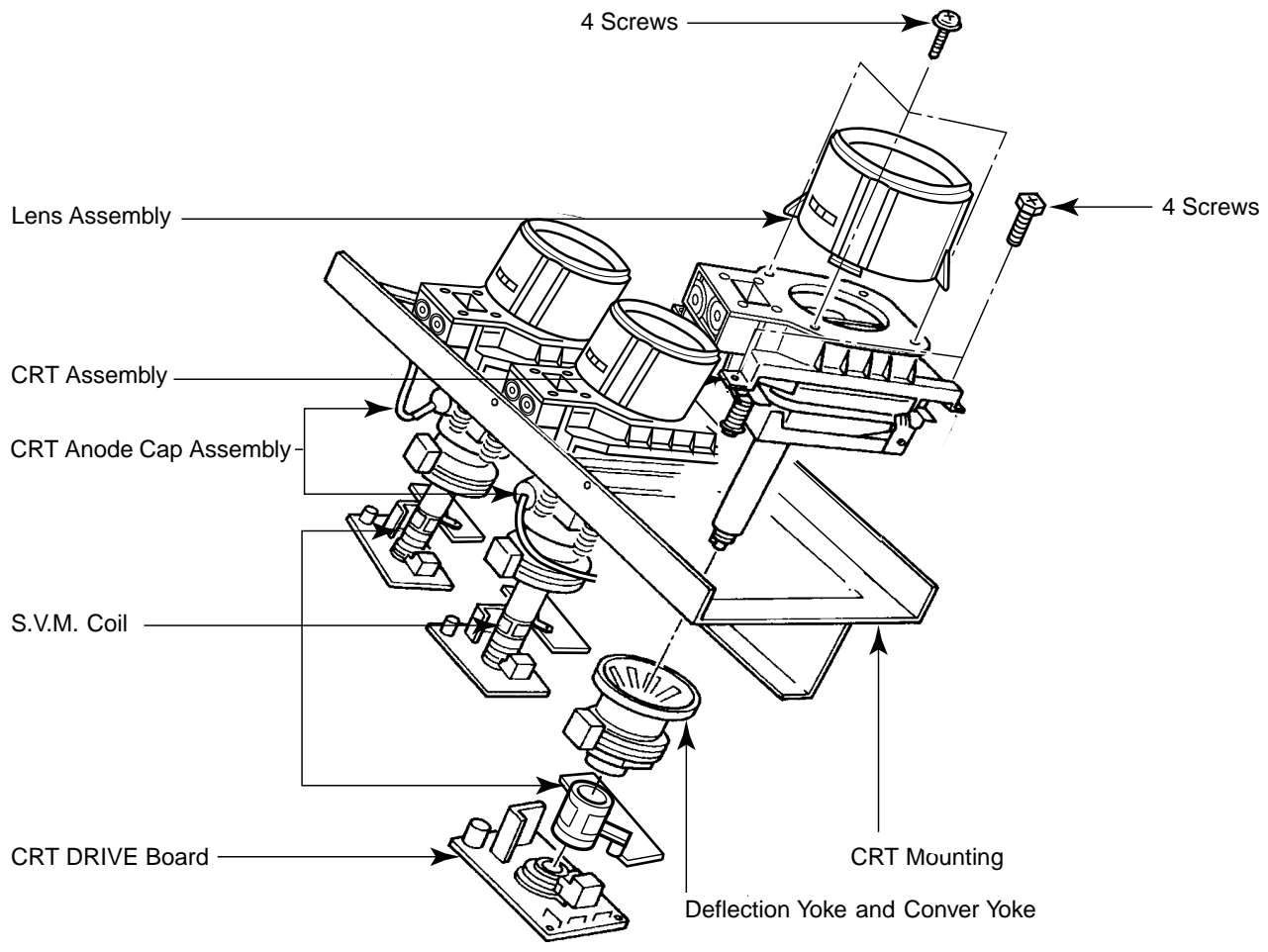
CRT ASSEMBLY REPLACEMENT AND MOUNTING

CAUTION : DO NOT LOOSEN THE HEX HEAD BOLTS WITH SPRINGS (12 PCS), BECAUSE THOSE ARE FOR SEALING OF CRT COOLANT.



Attention Serviceman

The Hex Head Bolts with Springs. (see sketch) used on CRT assembly, are "NOT" Adjustment Screws
DO NOT LOOSEN-FLUID LEAKAGE WILL OCCUR.



Lens and Neck Components View

TO REMOVE CRT (Same procedure for R, G, B)

1. Remove CRT DRIVE Board, S. V. M. COIL and DEF.YOKE from CRT.
2. Remove Lens Assembly.
3. Detach CRT Anode Cap from CRT.
4. Remove CRT Assembly from CRT Mounting.

CRT REPLACEMENT (Same procedure for R, G, B)

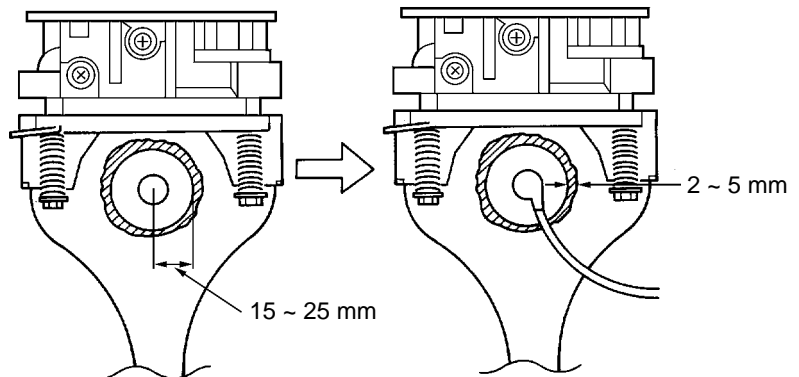
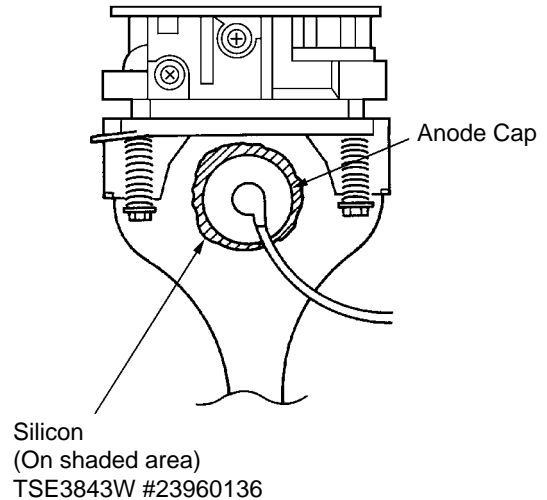
Reverse the removal procedures except the followings.

1. Anode Cable should be replaced with new one.
See "SERVICING PRECAUTIONS" shown below.
2. Install silicon (T461B) to the CRT, replace the Anode cable and put enough silicon again on around the Anode Cap as illustrated.

CAUTION: Align the Anode cable as illustrated on page 4.

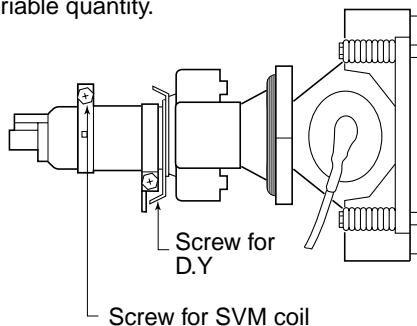
ADJUSTING PROCEDURE IN REPLACING CRT

1. R.G.B. FOCUS ADJUSTMENT (page 6.)
 2. PICTURE TILT ADJUSTMENT (page 6.)
 3. USER CONVERGENCE CENTER CHECK
(See owner's manual.)
 4. CENTERING ADJUSTMENT (page 6.)
 5. CONVERGENCE ADJUSTMENT (page 13.)
 6. WHITE BALANCE ADJUSTMENT (page 12.)
- Adjustments are complete.

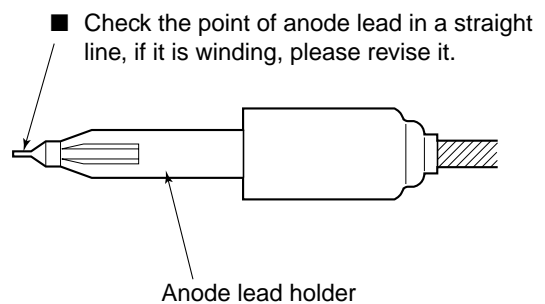


SERVICING PRECAUTIONS

- Do not use a magnetized screw driver for screws of Deflection Yoke and Velocity Modulation Coil to avoid magnetization of electron gun. Magnetization of electron gun will degrade basic function and result in unbalance of right and left shift of user static convergence, and result in no variable quantity.



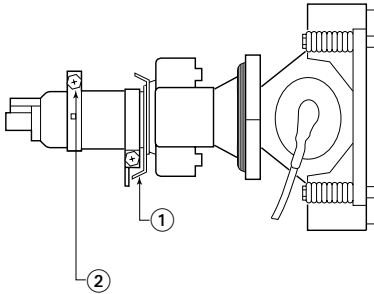
- When replacing the anode cap assembly (CRT) or anode lead assembly (F.B.T.), remove the anode lead holder from old one and attach the holder again to new anode lead.



WARNING : BEFORE SERVICING THIS CHASSIS, READ THE "X-RAY RADIATION PRECAUTION", "SAFETY PRECAUTION" AND "PRODUCT SAFETY NOTICE" ON PAGE 3 OF THIS MANUAL.

PICTURE TUBE COMPONENTS ADJUSTMENT

DESCRIPTION OF NECK COMPONENTS



- ① Deflection yoke and convergence yoke
The position on the neck is required most front (CRT funnel side) and the screw is fastened after rotating yoke adjusting picture tilt.
- ② Centering magnet
After adjusting picture tilt, picture position is finally fixed by this magnet.
In order to get maximum margin of user convergence control for center of screen, this magnet have to be used for center convergence adjustment.

PREPARATION

Operate the receiver for at least 5 minutes.

R, G, B FOCUS ADJUSTMENT

1. Before adjusting the R, G, B FOCUS, remove the 4 screws of Lens Assembly which is fixed on the CRT Assembly. (See page 4.)
Then turn around the Lens Assembly by 180° to adjust the fastening screw (Fig. a) and fasten the 4 screws to secure Lens Assembly.
2. Select the adjustment mode. (See page 9.)
3. Press "7" button to display the built-in cross-hatch.
4. Press "0" and "RTN" buttons to make the picture a single Red color.
 - 100 button to erase Red color
 - 0 button to erase Green color
 - CH RTN button to erase Blue color
5. Loosen the fasten screw and adjust Red lense focus to best focusing point of picture center. Then fasten the screw. (See Fig. a.)

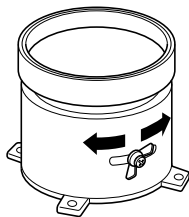


Fig. a

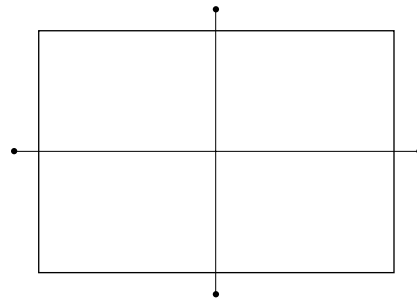
6. Adjust FOCUS VR "R" of FOCUS PACK to find best focusing point of picture center.
7. Repeat steps 3 to 5 for Green and Blue colors.

TILT ADJUSTMENT

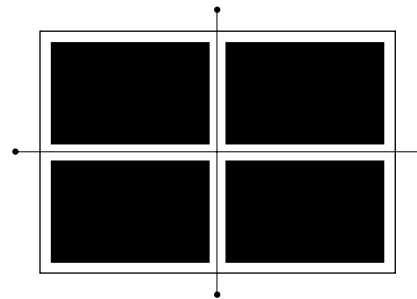
Rotate R, G, B deflection yoke so that picture becomes horizon, then fasten screw.

CENTERING ADJUSTMENT

1. Stretch a thread between two center of screen edge (top and bottom, left and right).

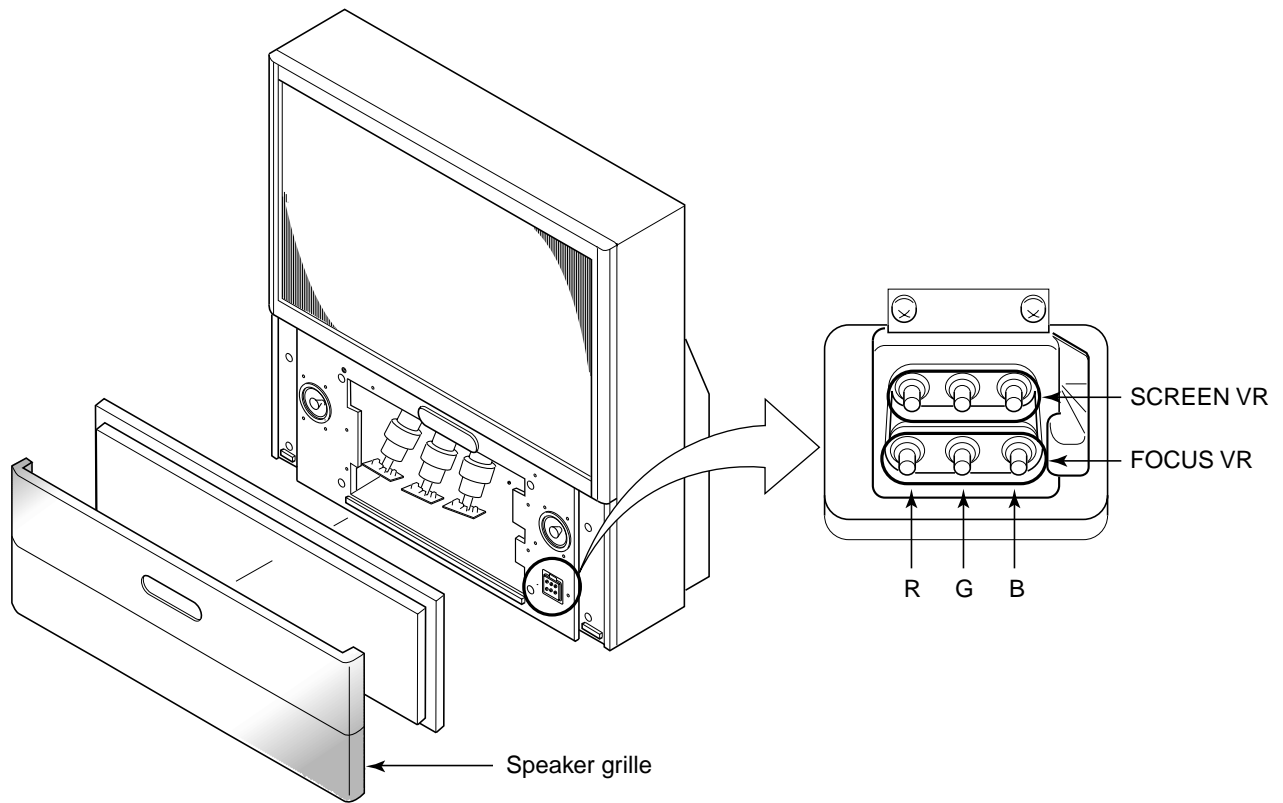


2. Select the adjustment mode.
3. Press TV/VIDEO button on the Remote Control to display the white cross-bar.



4. Perform VCEN adjustment. (See page 11.)
5. Adjust G centering magnet so that the cross-bar pattern center comes to screen center.
6. Perform HEIGHT adjustment . (See page 12.)
7. Perform VERT. LINEARITY adjustment.
8. Perform WIDTH adjustment. (See page 11.)
9. Check whole quality of green line.
10. Adjust R, B centering magnet so that the cross-bar pattern center comes to screen center.

LOCATION OF SCREEN AND FOCUS VR'S



REPLACEMENT OF THE CRT

Service parts are provided for each R, G and B.
The contents of the parts are as follows.

	R	G	B
HITACHI CRT	23008174	23008175	23008176

REPLACEMENT OF HIGH VOLTAGE CABLE

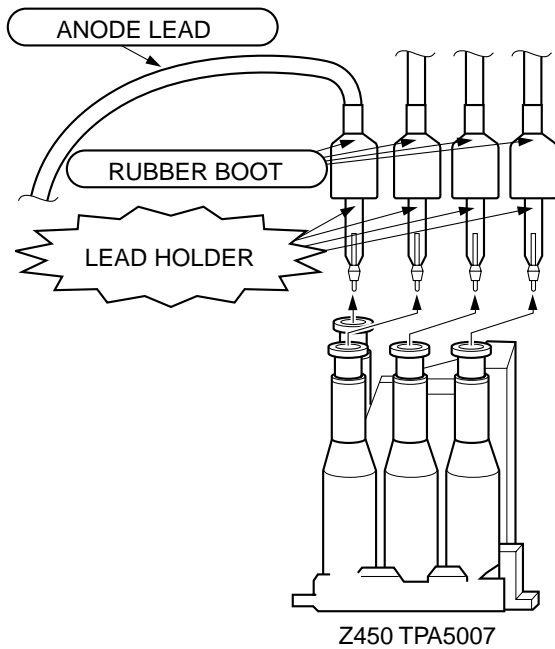


Fig. a

1. When replacing Anode Lead or Anode Cap with new one, remove Lead Holder from old lead as shown in figure below, and put it on new lead. Do not throw away Lead Holder.

NOTE : THE LEAD HOLDER IS ATTACHED TO TPA5007 (Z450), BUT IS NOT ATTACHED TO ANODE LEAD AND ANODE CAP. RUBBER BOOT IS ATTACHED TO ANODE LEAD AND ANODE CAP.

2. Detaching Lead Holder

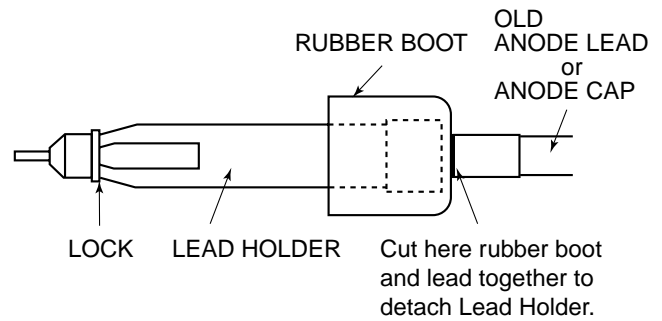
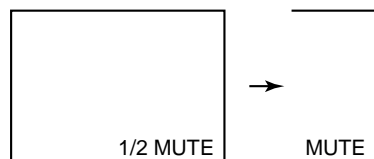


Fig. b

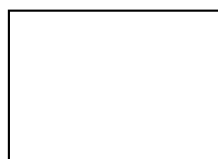
SERVICE MODE

1. ENTERING TO SERVICE MODE

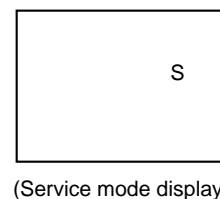
1) Press MUTE button twice on Remote Control.



2) Press MUTE button again to keep pressing.

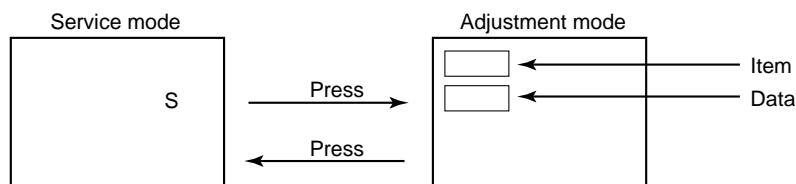


3) While pressing the MUTE button, press MENU button on TV set.



2. DISPLAYING THE ADJUSTMENT MENU

1) Press MENU button on TV.



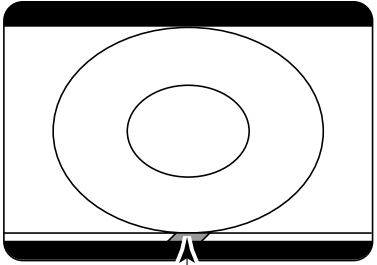
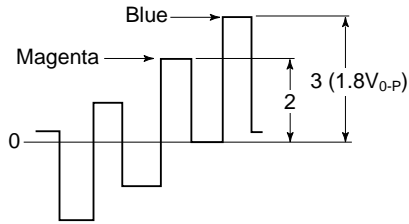
3. KEY FUNCTION IN THE SERVICE MODE

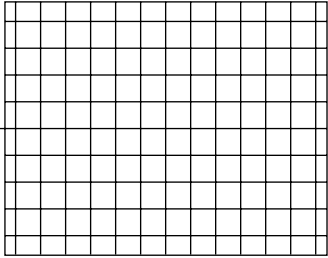
The following key entry during display of adjustment menu provides special functions.

Screen adjustment mode ON/OFF :	TV (ANT)/VIDEO button (on TV)
Selection of the adjustment items :	Channel ▲/▼ (on TV or Remote)
Change of the data value :	Volume ▲/▼ (on TV or Remote)
Adjustment menu mode ON/OFF :	MENU button (on TV)
Initialization of the memory (QA02) :	RECALL+Channel button on TV (▲)
Initialization of the self diagnostic data:	RECALL+Channel button on TV (▼)

“RCUT” selection :	1 button
“GCUT” selection :	2 button
“BCUT” selection :	3 button
“SCNT” selection :	4 button
“SCOL” selection :	5 button
“TNTC” selection :	6 button
Convergence adj :	7 button
Test audio signal ON/OFF (1kHz) :	8 button
Self diagnostic display :	9 button

ELECTRICAL ADJUSTMENT

ITEM	ADJUSTMENT PROCEDURE	
f_H (free-running frequency of Hor. oscillator)	<ol style="list-style-type: none"> 1. Receive NTSC signal. 2. Short the terminal "TP +9V" and the terminal "TP (Free run)" on the signal board with a jumper wire. 3. Connect the probe of frequency counter to the lead of R426 and GND. 4. Adjust the frequency to "33.75±0.2 kHz" by turning R4034 on DPC Board. 5. Disconnect the shorted wire, then confirm that the picture is synchronized. 	
VERTICAL POSITION (VCEN)	<ol style="list-style-type: none"> 1. Receive NTSC signal. 2. Connect the probe of digital voltmeter to TP-V and TP-G on SIGNAL Board. 3. Call up the adjustment mode display, then select the item VCEN. 4. Press the VOLUME ▲ or ▼ button to get the voltage 0±10 mV. 	
PICTURE POSITION (HPOS)	<ol style="list-style-type: none"> 1. Receive NTSC signal. 2. Call up the adjustment mode display. 3. Select the item "HPOS", and adjust the data to "80H". 4. Adjust the picture position alternately by turning CENTERING MAGNETS for proper picture position. 5. Check the picture with off-air signal. 	
WIDTH (WID)	<ol style="list-style-type: none"> 1. Receive NTSC signal. 2. Select the "FULL" mode by PIC SIZE button on Remote Control. 3. Call up the adjustment mode display, then select the item WID. 4. Press the VOLUME ▲ or ▼ button to get the picture so that left and right edges of video signal begin to lack. 5. Press the VOLUME ▲ button to advance the data by 8 steps. <p>NOTE: Check the horizontal picture position is correct.</p>	
SUB-BRIGHTNESS (BRTC)	<ol style="list-style-type: none"> 1. Constrict the picture height until the vertical retrace line appears adjusting the HEIGHT control on the MAIN board. 2. Adjust the CONTRAST to the minimum and BRIGHTNESS to the center. 3. Enter the service mode, then select "BRTC" register. 4. Adjust the data value so the belt of vertical retrace line just disappear. 5. Adjust the CONTRAST for the desired contrast. 6. Adjust the HEIGHT control. 	 <p style="text-align: center;">Vertical retrace line</p>
SUB-COLOR (SCOL)	<ol style="list-style-type: none"> 1. Receive color-bar signal from color-bar generator. 2. Adjust the BRIGHTNESS and CONTRAST to the center (RESET status). 3. Connect oscilloscope to TP501 on the MAIN board. 4. Enter the service mode, then select "SCOL". 5. Adjust the data value to achieve 1.8V_{0-p} of blue bar on scope. 6. Check the picture with off-air signal. 	

ITEM	ADJUSTMENT PROCEDURE
<p>HEIGHT (HIT)</p>	<ol style="list-style-type: none"> 1. Receive NTSC signal. 2. Select the "FULL" mode by PIC SIZE button on Remote Control. 3. Call up the adjustment mode display and select the item HIT. 4. Press the VOLUME ▲ or ▼ button to get the picture so that top and bottom of video signal begin to lack. 5. Press the VOLUME ▲ button to advance the data by 8 steps. <p>Note: Check the vertical picture position is correct. Adjust the data of height after vertical linearty.</p>
<p>VERTICAL LINEARITY (VLIN) (FULL mode only)</p>	<ol style="list-style-type: none"> 1. Receive cross-hatch pattern. 2. Call up the adjustment mode display, then select the item VLIN. 3. Press the VOLUME ▲ or ▼ button to obtain the picture of the best linearity. 4. Then readjust the item HIT. 
<p>WHITE BALANCE (RCUT) (GCUT) (BCUT) (RDRV) (BDRV)</p>	<ol style="list-style-type: none"> 1. Press RESET button on TV or remote hand set. 2. Call up the adjustment mode display, then adjust the data of items RCUT, GCUT and BCUT to "80". 3. Press TV (ANT)/VIDEO button on TV. 4. Gradually rotate R, G and B SCREEN volume of FOCUS PAC (page 8) clockwise or counterclockwise until the raster appears slightly on the CRT through the each lens, and leave them. (Look into the lens in order to check the raster.) 5. Press TV (ANT)/VIDEO button on TV again. 6. Exit from service mode. 7. Receive white laster pattern signal, and adjust the contrast to the minimum to make white picture to low light. 8. Adjust the data of items RCUT, GCUT and BCUT for low light area. 9. Adjust the contrast to the maximum to make white picture to high light. 10. Adjust the data of items RDRV and BDRV Controls for proper white-balanced picture in high light area. 11. Check the white balance in both low and high light areas. If necessary, perform again steps from 7 to 9.

CONVERGENCE ADJUSTMENT

Adjust convergence from center to circumference in order.

KEY FUNCTION IN THE CONVERGENCE ADJUSTMENT:

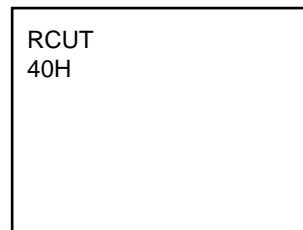
Up :	2 button
Selet Green color:	3 button
Left :	4 button
Blinking of cursor ON/OFF:	5 button
Right:	6 button
Adjust mode ON/OFF:	7 button
Down:	8 button
Vertical stripe ON/OFF	9 button
Erase Green line:	0 button
Erase Red line:	100 button
Erase Blue line:	ENT button

Note:

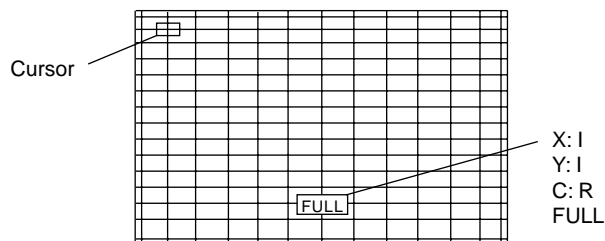
Adjusting procedure in replacing convergence board.

1. User convergence center check. Make sure the best convergence setting is about the center of adjustable range.
2. CENTERING ADJUSTMENT
3. PICTURE POSITION ADJUSTMENT
4. HIT, WID ADJUSTMENT
5. CONVERGENCE ADJUSTMENT
6. Execute TOUCH FOCUS following instructions displayed on the screen after finishing CONVERGENCE ADJUSTMENT.
7. If TOUCH FOCUS ERROR is displayed after finishing TOUCH FOCUS, the method of CROSS-HATCH PATTERN after CONVERGENCE adjustment is different from what is exhibited on the right figure, or HARDWARE is out of order.

1. Select the adjustment mode following the steps on page 9.



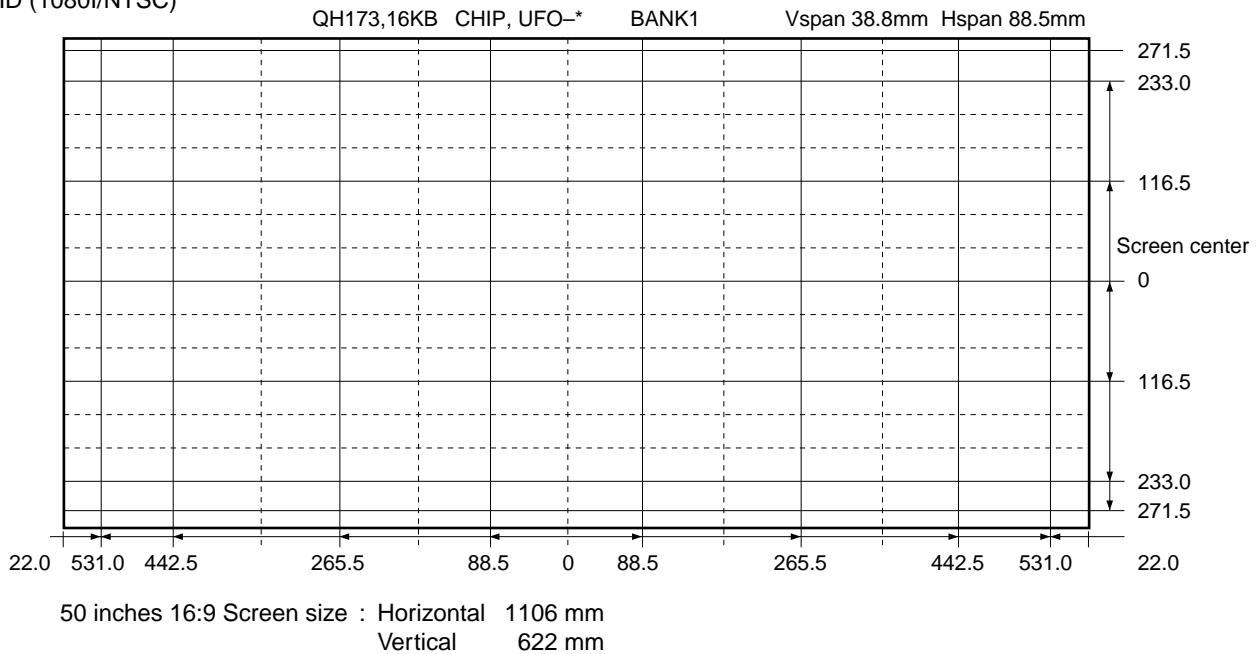
2. Press "7" button to display the built-in cross-hatch pattern and press "9" button to display the vertical stripes.



3. Adjustment around cursor can be done.
The pattern includes three colors (R, G, B).
The cursor should be blinking in Red.
This means that the Red color is adjustable.
4. Press "3" button to select Green color to be adjusted.
5. Press "5" button to stop the blinking of cursor.
6. Press "2 (up)", "8 (down)", "4 (left)" or "6 (right)" to obtain the correct cross-hatch pattern as above.
If necessary, the specified color line can be erased from the screen.
100 button to erase Red line
0 button to erase Green line
CH RTN button to erase Blue line
7. Press "5" button to make the cursor blinking.
8. Press "2", "8", "4", "6" buttons to move the cursor to other point to be adjusted.
9. Repeat steps 5 to 8.
10. Repeat steps 4 to 9 to adjust Red and Blue colors.
Converge the selected color line into the Green line.
11. Press "7" button to memorize the adjusted states.
At this time, picture changes for about 1 second.
12. Press the TOUCH FOCUS button when "PLEASE PUSH TOUCH FOCUS" is displayed on the screen.
13. TOUCH FOCUS is executed.
14. It returns to the normal screen after displaying "TOUCH FOCUS FINISHED".

Adjusting Dimension of Each Picture Screen (16:9 screen size:) 50 inches

(1) HD (1080I/NTSC)



NOTES

In many cases, color misconvergence may be corrected by returning HIT and WID data in main deflection side to initial adjusting values. Following cases will surely require readjustment of convergence.

CRT REPLACEMENT

When CRT is replaced, main deflection readjustment and color matching are required. Perform following procedures.

1. Replace two CRT's of blue and red.
2. Perform horizontal adjustment for blue and red yokes on base of green CRT data. Mount yoke and velocity mod. coil alignment, pushing towards CRT without gap.
3. Adjust alignment of blue and red. (Refer Alignment adjustment for details.)
4. Rotating centering magnet, adjust CRT centers of red and blue to CRT center of green.
(Picture position adjustment)
5. Adjust HIT and WID data of main deflection, and decide HIT data at the most precise screen comparing to green data.
6. Adjust convergence of screen picture for color matching. Do not move green one at this time.
7. After convergence adjustment of screen picture finishes, replace green CRT.
For green CRT as well, repeat steps 2 to 5 above on bases of red and blue color matching to adjust convergence.
8. Execute TOUCH FOCUS following instructions displayed on the screen after finishing convergence adjustments of all the colors.

Note: Press button "7" again after "PLEASE PUSH TOUCH FOCUS" has been displayed. Then, TOUCH FOCUS will not be executed, and the current state of convergence will be displayed.

REPLACING CONVERGENCE UNIT

When replacing convergence unit, picture screen require readjustment basically, but the following method allows process be reduced considerably.

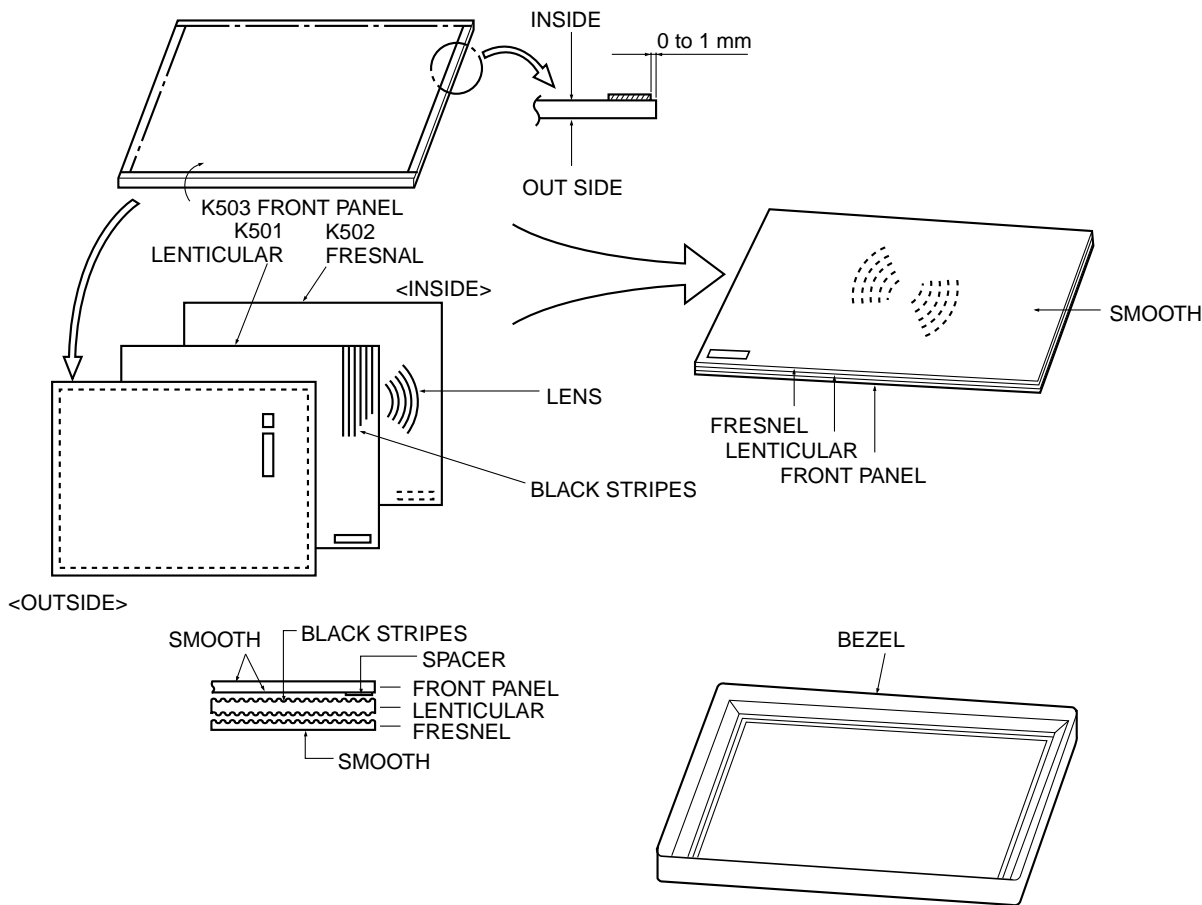
1. Replace the memory (Q713) on defective unit with memory on new unit. Mounting the unit on the SET after the above working realizes picture screen before replacement immediately.
2. Mount unit which has old memories, on SET and turn it on. Screen shows whole picture looks like straightly shifted towards vertical or horizontal direction.
3. Adjust again centers of green, red and blue with centering magnets.
4. Check picture screen for slight disparity of color and picture size. If necessary, add some adjustments of main deflection and color matching of convergence.
5. Execute TOUCH FOCUS following instructions displayed on the screen after finishing convergence adjustments of all the colors.

Note: Press button "7" again after "PLEASE PUSH TOUCH FOCUS" has been displayed. Then, TOUCH FOCUS will not be executed, and the current state of convergence will be displayed.

SCREEN AND MIRROR ALIGNMENTS

ASSEMBLING OF FRONT SCREEN

MOUNTING OF FRONT SCREEN



CAUTION : Do not hold the optical system parts (lens and mirror) with bare hand to avoid finger-prints on the surface of those parts.

HOW TO CLEAN LENS AND MIRROR

1. Be sure to remove sand dust with an air brush, etc.
2. When it is stained slightly, breathe upon it and wipe away with the specified cleaning cloth.

For other stains than the above, wipe the stains away with the specified cloth into which a cleaning liquid has been soaked.

Cleaning liquid **LENS LUSTER** (Manufactured by Edmund Scientific Co.), etc.

HOW TO CLEAN SCREEN

When cleaning the screen, use a soft cloth so as not to damage the screen.

1. Wipe the screen with a dry cloth to remove moisture on the screen.

Note : Absolutely do not use detergent, water, alcohol, benzene, thinner, etc. for cleaning in order not to wipe away the black print on the surface.

CIRCUIT CHECKS

HIGH VOLTAGE CHECK

CAUTION: There is no HIGH VOLTAGE ADJUSTMENT on this chassis. Checking should be done following the steps below.

1. Connect an accurate high voltage meter to the anode of the picture tube.
2. Turn on the receiver. Set the BRIGHTNESS and CONTRAST to minimum (zero beam current).
3. High voltage must be measured below (B) kV.

Refer to table-1 for high voltage (B).
(See SETTING & ADJUSTING DATA on page 17)

4. Vary the BRIGHTNESS to both extremes to be sure the high voltage does not exceed the limit under any conditions.

CAUTION:

When the following parts fail, check the High Voltage after replacing.

Location No.	Name	Descriptions
		50"
T461	Flyback	TFB3090AD
C407	Capacitor	4700pF, ±3%
C408	Capacitor	8200pF, ±5%
C441	Capacitor	4700pF, ±5%
C432	Capacitor	8200pF, ±5%
C433	Capacitor	1200pF, ±3%

ANODE VOLTAGE MEASURING METHOD

CAUTION: Take extra precaution when measuring this high voltage. High voltages are also present in surrounding circuit boards (CRT DRIVE assembly, DEFLECTION assembly, and POWER SUPPLY assembly).

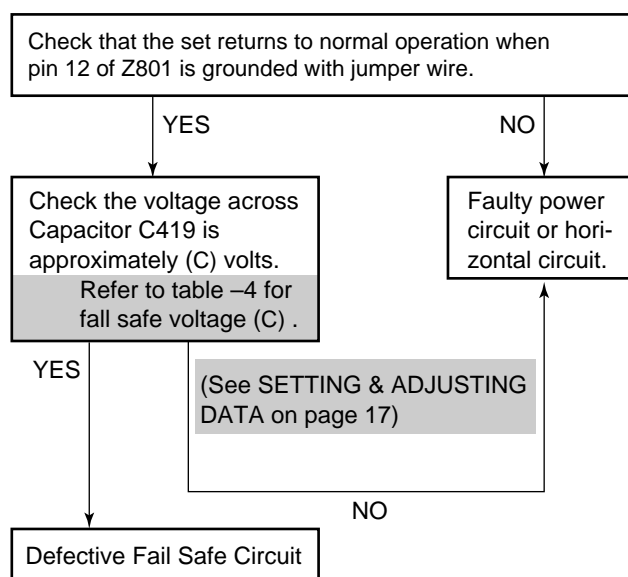
1. Disconnect the FBT anode cable as outlined below. Measure high voltage at the point where the cable enters the FBT.
2. Holding the rubber cover firmly, turn it counterclockwise and check that the lock has been disengaged. (See Fig. b on page 8.)
3. Determine the extent of the rubber cover before disconnecting the cable.
4. Pull straight up the anode cable to disconnect.
5. When reconnecting the cable, proceed in the reverse order. After reconnecting, tug on the cable to check that it is secure.

FS CIRCUIT CHECK

The Fail Safe (FS) circuit check is indispensable for the final check in servicing. Checking should be done following the steps below.

1. Turn the receiver on.
2. Temporarily short TP- (R) and TP- (X) on the DEF/POWER Board with a jumper wire. Raster and sound will disappear.
3. The receiver must remain in this state even after removing the jumper wire. This is the evidence that the FS circuit is functioning properly.
4. To obtain a picture again, temporarily turn the receiver off and allow the FS circuit more than 5 seconds to reset. Then turn the receiver on to produce a normal picture.

Troubleshooting Guide for Fail Safe Circuit



CHAPTER 2 SPECIFIC INFORMATIONS

SETTING & ADJUSTING DATA

【 SAFETY INSTRUCTIONS 】

		50"
HIGH VOLTAGE AT ZERO BEAM:	(A)	31.0 kV
MAX HIGH VOLTAGE:	(B)	32.5 kV

Table-1

【 SERVICE MODE 】

ADJUSTING ITEMS AND DATA IN THE SERVICE MODE:

Item	Name of adjustment	Preset	Data	Item	Name of adjustment	Preset	Data
RCUT	R CUTOFF	40H	←	EIOF	R-Y BLACK (Q501)	20H	←
GCUT	G CUTOFF	40H	←	EQOF	R-Y BLACK (Q501)	20H	←
BCUT	B CUTOFF	40H	←	PYOF	PIP Y OFFSET	17H	←
RDRV	R DRIVE	40H	←	PIOF	PIP I OFFSET	24H	←
BDRV	B DRIVE	40H	←	PQOF	PIP Q OFFSET	1EH	←
BRTC	SUB-BRIGHT	80H	←	VCP	V-COMPENSATE	0AH	←
TNTC	SUB-TINT	44H	←	PARA	E-W PARABOLA (DPC)	17H	←
SCOL	SUB COLOR	05H	←	CNR	E-W CORNER	08H	←
SCNT	SUB-CONTRAST	10H	←	HCP	H-COMPENSATE	00H	←
HPOS	HORIZ. POSITION	80H	←	VFC	V-F CORRECT	00H	←
VPOS	VERT. POSITION	19H	←	PHUE	PIP TINT	40H	←
HIT	HEIGHT	38H	55H	PCNT	PIP CONT	10H	←
LIN	V-LINEARITY	12H	←	PCOL	PIP COLOR	15H	←
VSC	V-S CORRECTION	10H	←	RGBB	RGB BRIGHT	54H	←
WID	PICTURE WIDTH	1DH	←	VCEN	V POSITION	70H	←
VPS	V-SHIFT	0AH	←	TVOP	TV OPTION	08H	18H
EYOF	Y1 BLACK (Q501)	07H	←	OPT0	TV SET OPTION	50H	←
ECNT	Y1 SCNT (Q501)	16H	←	OPT1	TV SET OPTION	05H	←

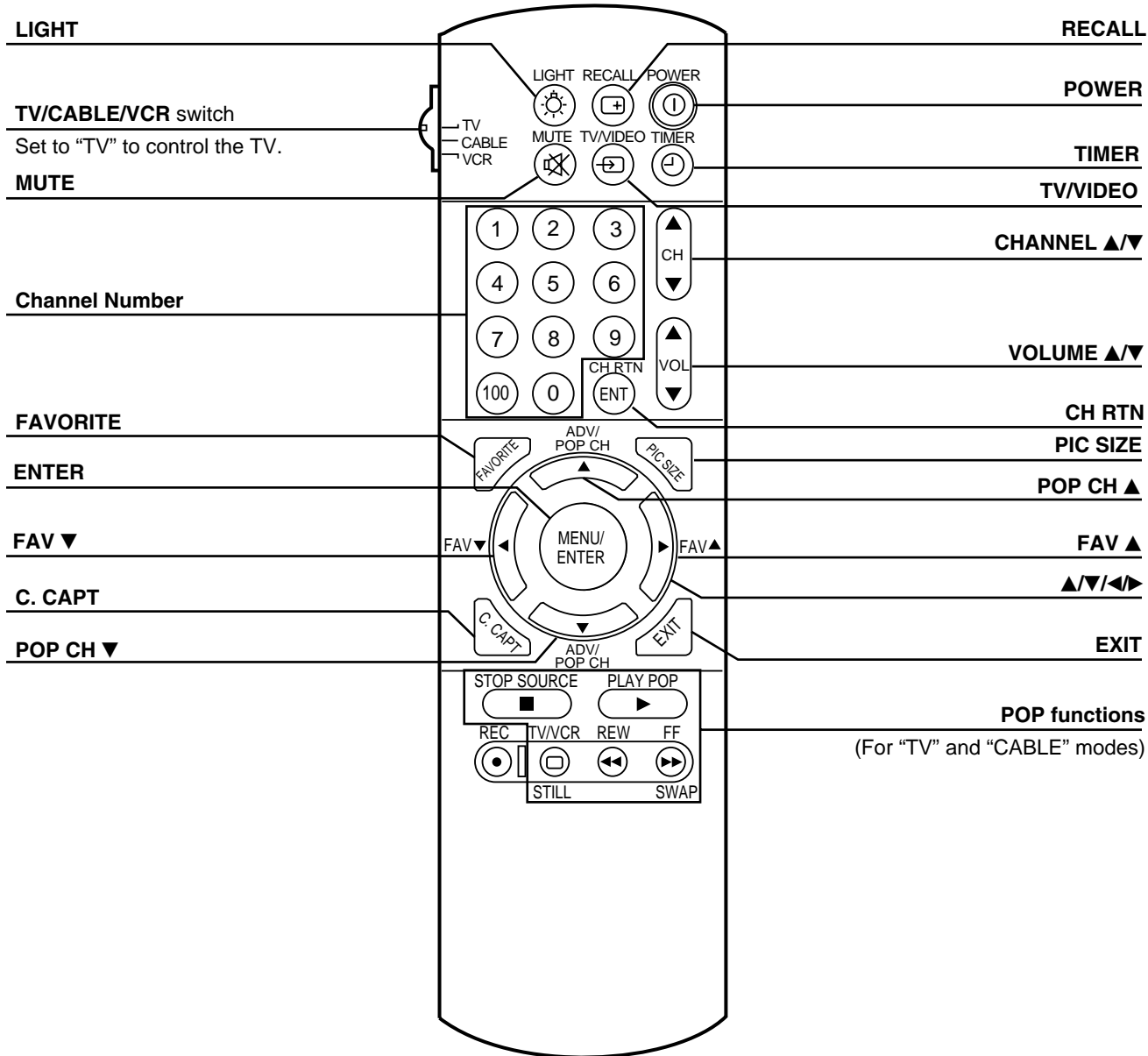
Table-2

【 CIRCUIT CHECKS 】

FBT DETECTION VOLTAGE	(C)	24.5 V
HIGH VOLTAGE DET		8.7 V

Table-3

Remote Control



SPECIFIC INFORMATIONS

PROGRAMMING CHANNEL MEMORY

The channel memory is the list of TV channel numbers the TV tunes in when you press the CHANNEL ▲ or ▼ button.

First, use the TV/CABLE and CH PROGRAM functions to preset all active channels in your area automatically.

If necessary, arrange the preset channels with the ADD/ERASE functions so that you can tune into only desired channels.

Note: If you utilize both ANT-1 and ANT-2 terminals for some model, perform programming channels for each input source.

TV/CABLE function

- 1 Press **MENU**, then press ► or ◀ until the SET UP menu appears.
- 2 Press ▼ (or ▲) until "TV/CABLE" is highlighted.
- 3 Press ► or ◀ to highlight either "TV" or "CABLE", whichever you use.

CH PROGRAM function

- 1 Select "CH PROGRAM" following steps 1 and 2 above.
- 2 Press ► or ◀ to start channel programming.
The TV will automatically cycle through all the TV or CABLE channels selected by the TV/CABLE function, and store active channels in the channel memory.
- 3 When channel programming is complete, you will see the message to the right appears.
- 4 Press **CHANNEL ▲** or **▼** to make sure the channel programming has been done properly.

ADD/ERASE function

After performing the CH PROGRAM function, you can add or erase specific channels.

- 1 Select the channel you want to erase using the **CHANNEL ▲** or **▼** button, or select the channel you want to add using the **Channel Number** buttons.
- 2 Press **MENU**, then press ► or ◀ until the SET UP menu appears.
- 3 Press ▼ (or ▲) until "ADD/ERASE" is highlighted.
- 4 Press ► or ◀:
To erase the channel press the button until "ERASE" is highlighted.
To add the channel press the button until "ADD" is highlighted.
- 5 Repeat steps 1 to 4 for other channels.

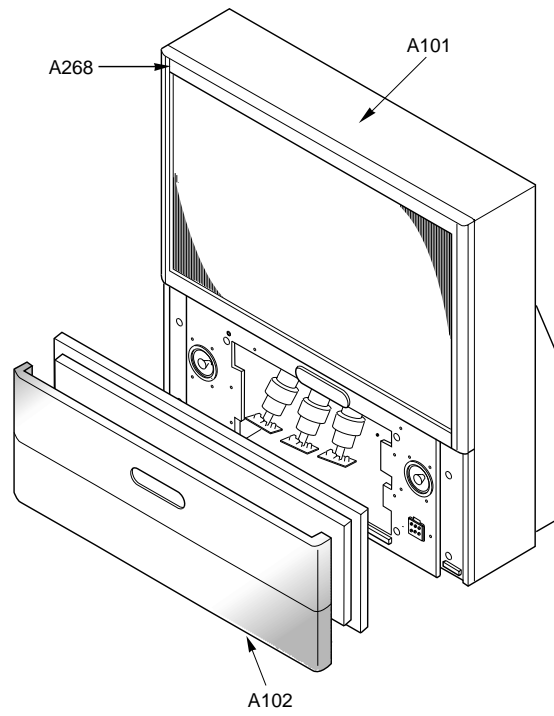
You have now completed the channel programming.

Note: The CHANNEL ▼/▲ buttons on the TV function as the ▼/▲ buttons while a menu is on the screen.

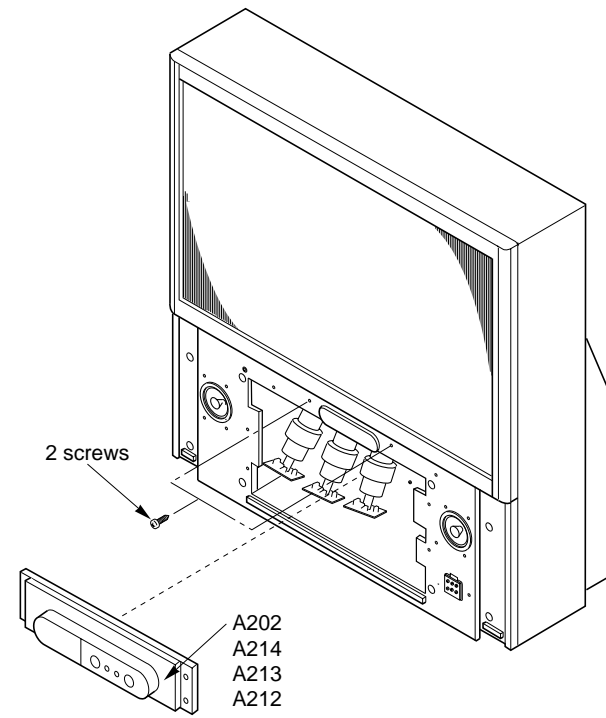
* Please refer to owner's manual in detail.

MECHANICAL DISASSEMBLY

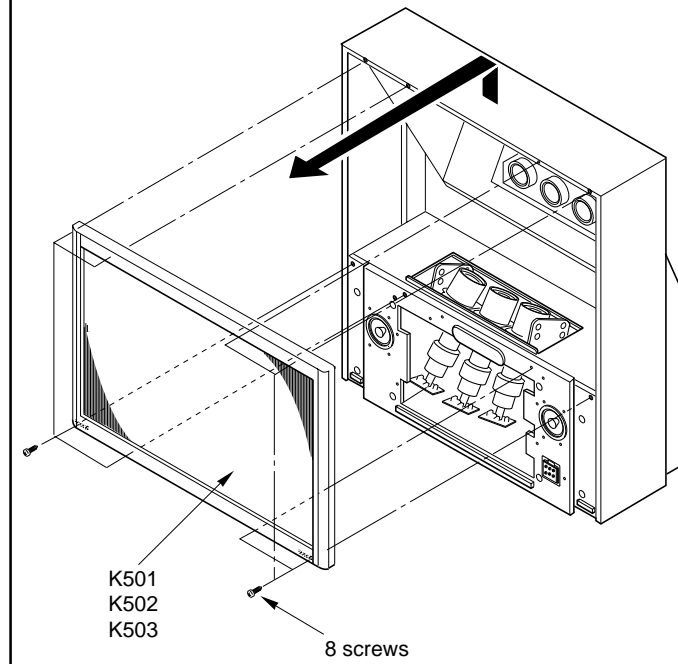
1 Speaker Grille Removal



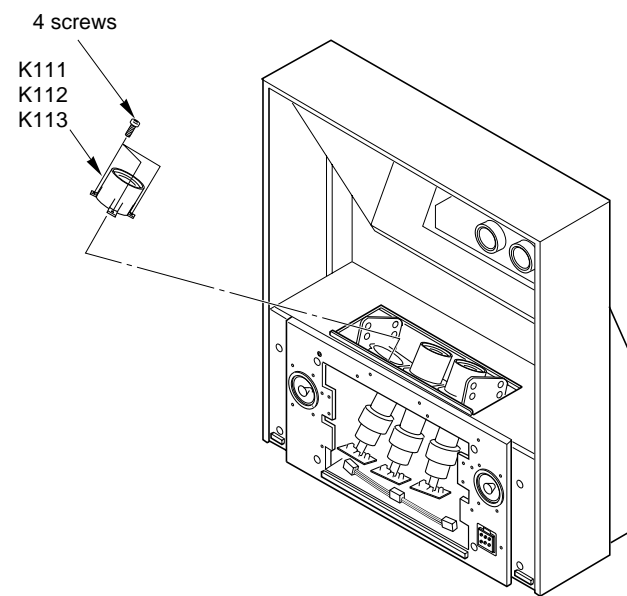
2 Control Panel Removal



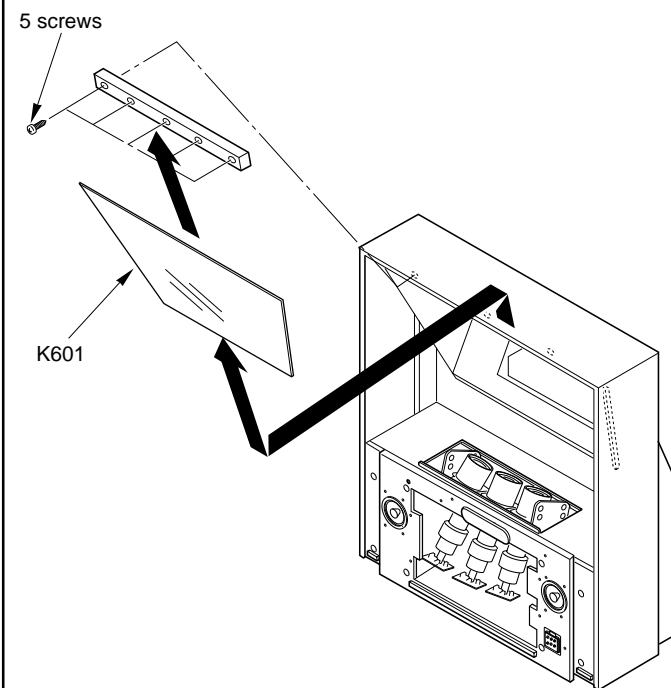
3 Front Mask Removal



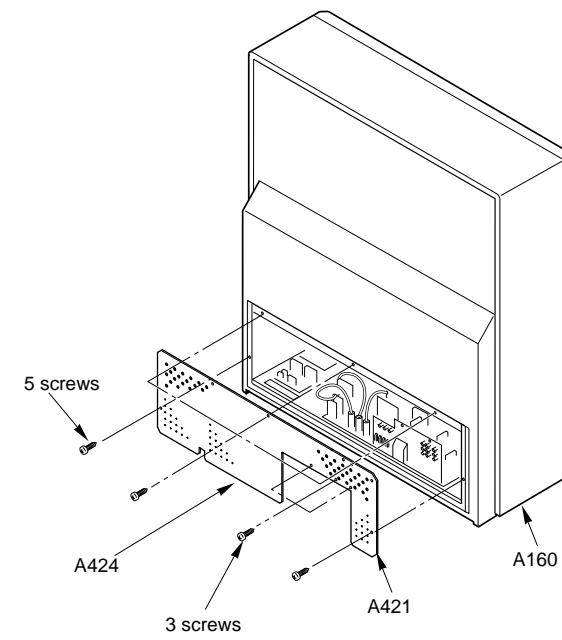
4 Shield Plate, Lens Removal



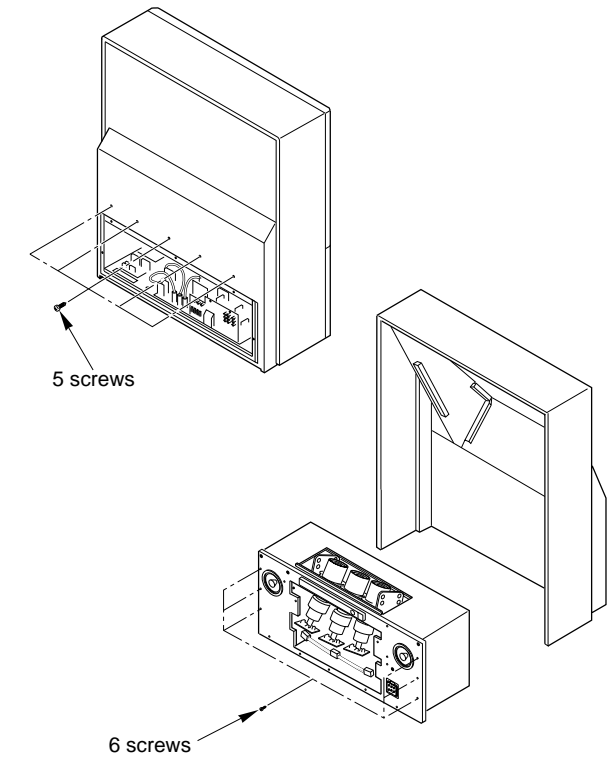
5 Mirror Removal



6 Back Board Removal



7 Light Box Removal



CHASSIS REPLACEMENT PARTS LIST

WARNING: BEFORE SERVICING THIS CHASSIS, READ THE "X-RAY RADIATION PRECAUTION", "SAFETY PRECAUTION" AND "PRODUCT SAFETY NOTICE" ON PAGE 3 OF THIS MANUAL.

CAUTION: The international hazard symbols " " in the schematic diagram and the parts list designate components which have special characteristics important for safety and should be replaced only with types identical to those in the original circuit or specified in the parts list. The mounting position of replacements is to be identical with originals. Before replacing any of these components, read carefully the PRODUCT SAFETY NOTICE. Do not degrade the safety of the receiver through improper servicing.

NOTICE:

- The part number must be used when ordering parts, in order to assist in processing, be sure to include the Model number and Description.
- The PC board assembly with * mark is no longer available after the end of the production.

Models : 50H81

Capacitors	CD : Ceramic Disk	PF : Plastic Film	EL : Electrolytic
Resistors	CF : Carbon Film	CC : Carbon Composition	MF : Metal Film
	OMF : Oxide Metal Film	VR : Variable Resistor	FR : Fusible Resistor

(All CD and PF capacitors are $\pm 5\%$, 50V and all resistors, $\pm 5\%$, 1/6W unless otherwise noted.)

Location No.	Part No.	Description
CAPACITORS		
C102	24665221	EL, 220 μ F, $\pm 20\%$, 10V
C105	24100102	Chip, 1000pF, +80%, -20%
C106	24669479	EL, 4.7 μ F, $\pm 20\%$, 50V
C107	24666221	EL, 220 μ F, $\pm 20\%$, 16V
C112	24665221	EL, 220 μ F, $\pm 20\%$, 10V
C115	24100102	Chip, 1000pF, +80%, -20%
C117	24666221	EL, 220 μ F, $\pm 20\%$, 16V
C201	24092730	Chip, 0.1 μ F, $\pm 10\%$, 16V
C205	24206229	EL, 2.2 μ F, $\pm 20\%$, 50V
C207	24105100	Chip, 10pF, ± 0.5 pF
C208	24105100	Chip, 10pF, ± 0.5 pF
C209	24105100	Chip, 10pF, ± 0.5 pF
C211	24092730	Chip, 0.1 μ F, $\pm 10\%$, 16V
C212	24666100	EL, 10 μ F, $\pm 20\%$, 16V
C221	24503041	PF, 0.1 μ F, 63V
C301	24617820	EL, 100 μ F, $\pm 20\%$, 50V
C302	24669101	EL, 100 μ F, $\pm 20\%$, 50V
C303	24109473	Chip, 0.047 μ F, $\pm 10\%$, 25V
C304	24503053	PF, 1 μ F, 63V
C305	24082057	PF, 0.22 μ F, 100V
C306	24082260	PF, 4700pF, 100V
C307	24109333	Chip, 0.033 μ F, $\pm 10\%$, 25V
C308	24617820	EL, 100 μ F, $\pm 20\%$, 50V
C309	24693473	PF, 0.047 μ F, 100V
C311	24109471	Chip, 470pF, $\pm 10\%$
C312	24666100	EL, 10 μ F, $\pm 20\%$, 16V
C313	24666220	EL, 22 μ F, $\pm 20\%$, 16V
C315	24619071	Chip, 2.2pF, $\pm 20\%$
C321	24503041	PF, 0.1 μ F, 63V
C322	24567224	PF, 0.22 μ F
C323	24567224	PF, 0.22 μ F
C324	24073053	EL, 100 μ F, $\pm 20\%$, 25V
C325	24503041	PF, 0.1 μ F, 63V
C326	24503041	PF, 0.1 μ F, 63V
C327	24567103	PF, 0.01 μ F
C328	24617912	EL, 2.2 μ F, $\pm 10\%$, 50V
C329	24567183	PF, 0.018 μ F
C331	24212102	CD, 1000pF, $\pm 10\%$
C332	24073020	EL, 1000 μ F, $\pm 20\%$, 10V
C333	24567103	PF, 0.01 μ F

Location No.	Part No.	Description
C334	24591102	PF, 1000pF
C335	24567474	PF, 0.47 μ F
C336	24503041	PF, 0.1 μ F, 63V
C337	24212101	CD, 100pF, $\pm 10\%$
C338	24073020	EL, 1000 μ F, $\pm 20\%$, 10V
C339	24666101	EL, 100 μ F, $\pm 20\%$, 16V
C341	24591222	PF, 2200pF
C342	24591222	PF, 2200pF
C343	24667101	EL, 100 μ F, $\pm 20\%$, 25V
C344	24567393	PF, 0.039 μ F
C345	24503041	PF, 0.1 μ F, 63V
C346	24669100	EL, 10 μ F, $\pm 20\%$, 50V
C347	24085946	EL, 10 μ F, $\pm 20\%$, 16V, Non-Polar
C348	24567224	PF, 0.22 μ F
C349	24567224	PF, 0.22 μ F
C351	24503041	PF, 0.1 μ F, 63V
C352	24669229	EL, 2.2 μ F, $\pm 20\%$, 50V
C353	24669010	EL, 1 μ F, $\pm 20\%$, 50V
C354	24567823	PF, 0.082 μ F
C355	24567563	PF, 0.056 μ F
C356	24665101	EL, 100 μ F, $\pm 20\%$, 10V
C357	24073037	EL, 47 μ F, $\pm 20\%$, 16V
C401	24214332	CD, 3300pF, $\pm 10\%$, 500V
C402	24092463	Chip, 0.22 μ F, $\pm 10\%$, 16V
C403	24676220	EL, 22 μ F, $\pm 20\%$, 100V
C404	24619071	Chip, 2.2pF, $\pm 20\%$
C405	24567124	PF, 0.12 μ F
C406	24109223	Chip, 0.022 μ F, $\pm 10\%$, 25V
C407	24082608	PF, 4700pF, $\pm 3\%$, 1800V
C408	24820822	PF, 8200pF, 630V
C410	24105221	Chip, 220pF
C411	24678220	EL, 22 μ F, $\pm 20\%$, 200V
C412	24828823	PF, 0.082 μ F, 200V
C413	24214221	CD, 220pF, $\pm 10\%$, 500V
C414	24082647	PF, 0.27 μ F, 400V
C415	24092484	CD, 1500pF, $\pm 10\%$, 2kV
C416	24095716	PF, 1.5 μ F, $\pm 10\%$, 250V
C417	24082648	PF, 0.3 μ F, 400V
C418	24679330	EL, 33 μ F, $\pm 20\%$, 250V
C420	24503041	PF, 0.1 μ F, 63V

Location No.	Part No.	Description
C421	24640908	EL, 33 μ F, \pm 20%, 160V
C422	24591102	PF, 1000pF
C423	24211222	CD, 2200pF, \pm 10%, 2kV
C424	24828473	PF, 0.047 μ F, 200V
C426	24591153	PF, 0.015 μ F
C427	24567123	PF, 0.012 μ F
C428	24591102	PF, 1000pF
C429	24567333	PF, 0.033 μ F
C431	24591102	PF, 1000pF
△C432	24820822	PF, 8200pF, 630V
△C433	24082594	PF, 1200pF, \pm 3%, 1800V
C434	24073057	EL, 1000 μ F, \pm 20%, 25V
C435	24503041	PF, 0.1 μ F, 63V
C436	24503041	PF, 0.1 μ F, 63V
C437	24666331	EL, 330 μ F, \pm 20%, 16V
C438	24666101	EL, 100 μ F, \pm 20%, 16V
C439	24591223	PF, 0.022 μ F
△C441	24082608	PF, 4700pF, \pm 3%, 1800V
C451	24567223	PF, 0.022 μ F
C452	24073040	EL, 330 μ F, \pm 20%, 16V
C453	24109103	Chip, 0.01 μ F, \pm 10%
C454	24797010	EL, 1 μ F, \pm 20%, 50V
C455	24109103	Chip, 0.01 μ F, \pm 10%
C456	24085903	EL, 1 μ F, \pm 20%, 50V, Non-Polar
C457	24669010	EL, 1 μ F, \pm 20%, 50V
C458	24073039	EL, 220 μ F, \pm 20%, 16V
C459	24100104	Chip, 0.1 μ F, +80%, -20%, 25V
C460	24109103	Chip, 0.01 μ F, \pm 10%
C462	24105101	Chip, 100pF
C463	24109103	Chip, 0.01 μ F, \pm 10%
C464	24109103	Chip, 0.01 μ F, \pm 10%
C465	24109103	Chip, 0.01 μ F, \pm 10%
C467	24085903	EL, 1 μ F, \pm 20%, 50V, Non-Polar
C469	24073034	EL, 10 μ F, \pm 20%, 16V
C471	24503041	PF, 0.1 μ F, 63V
C472	24353100	CD, 10pF, \pm 0.25pF, CH
C473	24503041	PF, 0.1 μ F, 63V
C474	24501561	PF, 560pF
C475	24501272	PF, 2700pF
C476	24669479	EL, 4.7 μ F, \pm 20%, 50V
C477	24567103	PF, 0.01 μ F
C478	24591822	PF, 8200pF
C479	24669229	EL, 2.2 μ F, \pm 20%, 50V
C481	24669229	EL, 2.2 μ F, \pm 20%, 50V
C482	24501272	PF, 2700pF
C483	24501102	PF, 1000pF
C484	24503041	PF, 0.1 μ F, 63V
C485	24666331	EL, 330 μ F, \pm 20%, 16V
C486	24567103	PF, 0.01 μ F
C487	24501151	PF, 150pF
C488	24503041	PF, 0.1 μ F, 63V
C489	24666331	EL, 330 μ F, \pm 20%, 16V
C491	24591332	PF, 3300pF
C493	24436220	CD, 22pF
C496	24567474	PF, 0.47 μ F
C497	24073039	EL, 220 μ F, \pm 20%, 16V
C498	24073084	EL, 4.7 μ F, \pm 20%, 50V
C501	24109103	Chip, 0.01 μ F, \pm 10%
C502	24092730	Chip, 0.1 μ F, \pm 10%, 16V
C503	24619151	Chip, 47pF, 6.3V
C504	24109222	Chip, 2200pF, \pm 10%
C505	24105120	Chip, 12pF

Location No.	Part No.	Description
C506	24105120	Chip, 12pF
C507	24105120	Chip, 12pF
C508	24100104	Chip, 0.1 μ F, +80%, -20%, 25V
C509	24619157	Chip, 10pF, 16V
C510	24092730	Chip, 0.1 μ F, \pm 10%, 16V
C511	24619157	Chip, 10pF, 16V
C512	24092463	Chip, 0.22 μ F, \pm 10%, 16V
C513	24100104	Chip, 0.1 μ F, +80%, -20%, 25V
C514	24619040	Chip, 10pF, \pm 20%, 16V
C518	24666100	EL, 10 μ F, \pm 20%, 16V
C524	24092730	Chip, 0.1 μ F, \pm 10%, 16V
C525	24092730	Chip, 0.1 μ F, \pm 10%, 16V
C526	24092730	Chip, 0.1 μ F, \pm 10%, 16V
C527	24092730	Chip, 0.1 μ F, \pm 10%, 16V
C528	24092730	Chip, 0.1 μ F, \pm 10%, 16V
C529	24092730	Chip, 0.1 μ F, \pm 10%, 16V
C530	24669010	EL, 1 μ F, \pm 20%, 50V
C531	24666101	EL, 100 μ F, \pm 20%, 16V
C532	24666100	EL, 10 μ F, \pm 20%, 16V
C535	24092730	Chip, 0.1 μ F, \pm 10%, 16V
C536	24109103	Chip, 0.01 μ F, \pm 10%
C537	24109103	Chip, 0.01 μ F, \pm 10%
C547	24109103	Chip, 0.01 μ F, \pm 10%
C551	24100104	Chip, 0.1 μ F, +80%, -20%, 25V
C552	24100104	Chip, 0.1 μ F, +80%, -20%, 25V
C553	24100104	Chip, 0.1 μ F, +80%, -20%, 25V
C554	24100104	Chip, 0.1 μ F, +80%, -20%, 25V
C555	24100104	Chip, 0.1 μ F, +80%, -20%, 25V
C556	24100104	Chip, 0.1 μ F, +80%, -20%, 25V
C563	24206229	EL, 2.2 μ F, \pm 20%, 50V
C564	24666100	EL, 10 μ F, \pm 20%, 16V
C565	24206229	EL, 2.2 μ F, \pm 20%, 50V
C566	24206229	EL, 2.2 μ F, \pm 20%, 50V
C567	24109103	Chip, 0.01 μ F, \pm 10%
C568	24109103	Chip, 0.01 μ F, \pm 10%
C569	24109103	Chip, 0.01 μ F, \pm 10%
C570	24669010	EL, 1 μ F, \pm 20%, 50V
C601	24109102	Chip, 1000pF, \pm 10%
C602	24109102	Chip, 1000pF, \pm 10%
C603	24669100	EL, 10 μ F, \pm 20%, 50V
C604	24669100	EL, 10 μ F, \pm 20%, 50V
C605	24667470	EL, 47 μ F, \pm 20%, 25V
C606	24667470	EL, 47 μ F, \pm 20%, 25V
C607	24503041	PF, 0.1 μ F, 63V
C608	24503041	PF, 0.1 μ F, 63V
C609	24669102	EL, 1000 μ F, \pm 20%, 50V
C610	24669102	EL, 1000 μ F, \pm 20%, 50V
C611	24667470	EL, 47 μ F, \pm 20%, 25V
C612	24666221	EL, 220 μ F, \pm 20%, 16V
C661	24206010	EL, 1 μ F, \pm 20%, 50V
C662	24206010	EL, 1 μ F, \pm 20%, 50V
C663	24206010	EL, 1 μ F, \pm 20%, 50V
C664	24669220	EL, 22 μ F, \pm 20%, 50V
C665	24109103	Chip, 0.01 μ F, \pm 10%
C666	24206010	EL, 1 μ F, \pm 20%, 50V
C667	24794100	EL, 10 μ F, \pm 20%, 16V
C680	24669471	EL, 470 μ F, \pm 20%, 50V
C681	24666100	EL, 10 μ F, \pm 20%, 16V
C682	24092538	Chip, 1 μ F, +80%, -20%, 10V
C683	24092538	Chip, 1 μ F, +80%, -20%, 10V
C690	24109103	Chip, 0.01 μ F, \pm 10%
C704	24232103	CD, 0.01 μ F, +80%, -20%
C705	24206479	EL, 4.7 μ F, \pm 20%, 50V
C707	24797470	EL, 47 μ F, \pm 20%, 50V

Location No.	Part No.	Description
C712	24797470	EL, 47 μ F, \pm 20%, 50V
C713	24790470	EL, 47 μ F, \pm 20%, 160V
C715	24214472	CD, 4700pF, \pm 10%, 500V
C717	24214472	CD, 4700pF, \pm 10%, 500V
C718	24666470	EL, 47 μ F, \pm 20%, 16V
C719	24435560	CD, 56pF, 500V
C720	24790220	EL, 22 μ F, \pm 20%, 160V
C721	24666470	EL, 47 μ F, \pm 20%, 16V
C726	24212102	CD, 1000pF, \pm 10%
C760	24797470	EL, 47 μ F, \pm 20%, 50V
C761	24212102	CD, 1000pF, \pm 10%
C762	24797470	EL, 47 μ F, \pm 20%, 50V
C765	24214472	CD, 4700pF, \pm 10%, 500V
C766	24214472	CD, 4700pF, \pm 10%, 500V
C767	24790470	EL, 47 μ F, \pm 20%, 160V
C768	24666470	EL, 47 μ F, \pm 20%, 16V
C769	24666470	EL, 47 μ F, \pm 20%, 16V
C770	24435560	CD, 56pF, 500V
C771	24790220	EL, 22 μ F, \pm 20%, 160V
C780	24797470	EL, 47 μ F, \pm 20%, 50V
C781	24212102	CD, 1000pF, \pm 10%
C782	24797470	EL, 47 μ F, \pm 20%, 50V
C784	24214472	CD, 4700pF, \pm 10%, 500V
C786	24214472	CD, 4700pF, \pm 10%, 500V
C787	24790470	EL, 47 μ F, \pm 20%, 160V
C788	24666470	EL, 47 μ F, \pm 20%, 16V
C789	24666470	EL, 47 μ F, \pm 20%, 16V
C790	24435560	CD, 56pF, 500V
C791	24790220	EL, 22 μ F, \pm 20%, 160V
C792	24669229	EL, 2.2 μ F, \pm 20%, 50V
C801	24082001	PF, 0.47 μ F, \pm 20%, AC125V
C809	24086067	EL, 1000 μ F, \pm 20%, 200V
C810	24086067	EL, 1000 μ F, \pm 20%, 200V
C811	24092597	CD, 4700pF, \pm 20%, AC250V
C812	24092597	CD, 4700pF, \pm 20%, AC250V
C813	24092597	CD, 4700pF, \pm 20%, AC250V
C830	24073037	EL, 47 μ F, \pm 20%, 16V
C831	24503047	PF, 0.33 μ F, 63V
C832	24073038	EL, 100 μ F, \pm 20%, 16V
C833	24503047	PF, 0.33 μ F, 63V
C834	24073037	EL, 47 μ F, \pm 20%, 16V
C835	24503047	PF, 0.33 μ F, 63V
C836	24073015	EL, 47 μ F, \pm 20%, 10V
C840	24073058	EL, 2200 μ F, \pm 20%, 25V
C842	24073001	EL, 100 μ F, \pm 20%, 6.3V
C851	24073073	EL, 2200 μ F, \pm 20%, 35V
C852	24073094	EL, 1000 μ F, \pm 20%, 50V
C853	24073057	EL, 1000 μ F, \pm 20%, 25V
C854	24073092	EL, 330 μ F, \pm 20%, 50V
C857	24073060	EL, 4700 μ F, \pm 20%, 25V
C858	24073060	EL, 4700 μ F, \pm 20%, 25V
C860	24214103	CD, 0.01 μ F, \pm 10%, 500V
C863	24503045	PF, 0.22 μ F, 63V
C864	24092474	CD, 220pF, \pm 10%, 2kV
C866	24503053	PF, 1 μ F, 63V
C867	24591472	PF, 4700pF
C868	24073067	EL, 470 μ F, \pm 20%, 35V
C869	24678229	EL, 2.2 μ F, \pm 20%, 200V
C870	24082890	PF, 0.082 μ F, 800V
C871	24092484	CD, 1500pF, \pm 10%, 2kV
C872	24092478	CD, 470pF, \pm 10%, 2kV
C873	24503045	PF, 0.22 μ F, 63V
C874	24212102	CD, 1000pF, \pm 10%
C876	24503049	PF, 0.47 μ F, 63V

Location No.	Part No.	Description
C881	24678478	EL, 0.47 μ F, \pm 20%, 200V
C882	24073035	EL, 22 μ F, \pm 20%, 16V
C883	24082229	PF, 0.1 μ F, \pm 10%, 250V
C884	24086916	EL, 330 μ F, \pm 20%, 160V
C890	24073095	EL, 2200 μ F, \pm 20%, 50V
C894	24073058	EL, 2200 μ F, \pm 20%, 25V
C895	24073044	EL, 3300 μ F, \pm 20%, 16V
C898	24092398	CD, 0.1 μ F, +80%, -20%, 25V
C901	24211102	CD, 1000pF, \pm 10%, 2kV
C902	24794101	EL, 100 μ F, \pm 20%, 16V
C903	24232103	CD, 0.01 μ F, +80%, -20%
C904	24436561	CD, 560pF
C907	24214101	CD, 100pF, \pm 10%, 500V
C908	24436390	CD, 39pF
C909	24794221	EL, 220 μ F, \pm 20%, 16V
C911	24211102	CD, 1000pF, \pm 10%, 2kV
C912	24794101	EL, 100 μ F, \pm 20%, 16V
C913	24232103	CD, 0.01 μ F, +80%, -20%
C914	24436681	CD, 680pF
C915	24679330	EL, 33 μ F, \pm 20%, 250V
C916	24794102	EL, 1000 μ F, \pm 20%, 16V
C917	24214101	CD, 100pF, \pm 10%, 500V
C918	24503041	PF, 0.1 μ F, 63V
C919	24794221	EL, 220 μ F, \pm 20%, 16V
C921	24211102	CD, 1000pF, \pm 10%, 2kV
C922	24794101	EL, 100 μ F, \pm 20%, 16V
C923	24436681	CD, 680pF
C924	24232103	CD, 0.01 μ F, +80%, -20%
C926	24214101	CD, 100pF, \pm 10%, 500V
C927	24503041	PF, 0.1 μ F, 63V
C928	24203100	EL, 10 μ F, \pm 20%, 16V
C929	24794221	EL, 220 μ F, \pm 20%, 16V
C961	24763102	EL, 1000 μ F, \pm 20%, 16V
C962	24203100	EL, 10 μ F, \pm 20%, 16V
C963	24503041	PF, 0.1 μ F, 63V
C964	24503041	PF, 0.1 μ F, 63V
C967	24436331	CD, 330pF
C5001	24619046	Chip, 47pF, \pm 20%, 16V
C5002	24092730	Chip, 0.1 μ F, \pm 10%, 16V
C5003	24092515	Chip, 4.7 μ F, +80%, -20%, 16V
C5004	24092515	Chip, 4.7 μ F, +80%, -20%, 16V
C5005	24092730	Chip, 0.1 μ F, \pm 10%, 16V
C5013	24092538	Chip, 1 μ F, +80%, -20%, 10V
C5014	24092538	Chip, 1 μ F, +80%, -20%, 10V
C5023	24092538	Chip, 1 μ F, +80%, -20%, 10V
C5024	24092538	Chip, 1 μ F, +80%, -20%, 10V
C5030	24619040	Chip, 10pF, \pm 20%, 16V
C5031	24092730	Chip, 0.1 μ F, \pm 10%, 16V
C7704	24667101	EL, 100 μ F, \pm 20%, 25V
C7706	24503047	PF, 0.33 μ F, 63V
C7708	24105150	Chip, 15pF
C7709	24105150	Chip, 15pF
C7710	24105150	Chip, 15pF
C7711	24105150	Chip, 15pF
C7712	24105150	Chip, 15pF
C7713	24105150	Chip, 15pF
C7714	24105150	Chip, 15pF
C7715	24105150	Chip, 15pF
C7716	24105150	Chip, 15pF
C7717	24105150	Chip, 15pF
C7718	24105150	Chip, 15pF
C7719	24105150	Chip, 15pF
C7721	24105102	Chip, 1000pF, 25V
C7722	24105331	Chip, 330pF

Location No.	Part No.	Description
C7724	24669101	EL, 100 μ F, \pm 20%, 50V
C7725	24669101	EL, 100 μ F, \pm 20%, 50V
C7726	24105101	Chip, 100pF
C7727	24105331	Chip, 330pF
C7729	24105102	Chip, 1000pF, 25V
C7730	24105331	Chip, 330pF
C7732	24105331	Chip, 330pF
C7733	24105331	Chip, 330pF
C7735	24669101	EL, 100 μ F, \pm 20%, 50V
C7736	24669101	EL, 100 μ F, \pm 20%, 50V
C7737	24105102	Chip, 1000pF, 25V
C7738	24105331	Chip, 330pF
C7740	24105331	Chip, 330pF
C7741	24105331	Chip, 330pF
C7755	24667101	EL, 100 μ F, \pm 20%, 25V
C7757	24503047	PF, 0.33 μ F, 63V
C7766	24667221	EL, 220 μ F, \pm 20%, 25V
C7767	24667101	EL, 100 μ F, \pm 20%, 25V
C7768	24667101	EL, 100 μ F, \pm 20%, 25V
C7769	24109103	Chip, 0.01 μ F, \pm 10%
C7770	24667101	EL, 100 μ F, \pm 20%, 25V
C7772	24567334	PF, 0.33 μ F
C7774	24105331	Chip, 330pF
C7776	24667100	EL, 10 μ F, \pm 20%, 25V
C7779	24105331	Chip, 330pF
C7780	24105471	Chip, 470pF
C7783	24105471	Chip, 470pF
C7791	24667471	EL, 470 μ F, \pm 20%, 25V
C7792	24109472	Chip, 4700pF, \pm 10%
C7793	24503041	PF, 0.1 μ F, 63V
C7794	24503041	PF, 0.1 μ F, 63V
C7795	24109223	Chip, 0.022 μ F, \pm 10%, 25V
C7796	24669221	EL, 220 μ F, \pm 20%, 50V
C7797	24667471	EL, 470 μ F, \pm 20%, 25V
C7798	24669221	EL, 220 μ F, \pm 20%, 50V
C7810	24105471	Chip, 470pF
C7811	24105471	Chip, 470pF
C7812	24109103	Chip, 0.01 μ F, \pm 10%
C7815	24591223	PF, 0.022 μ F
C7817	24109332	Chip, 3300pF, \pm 10%
C7818	24109102	Chip, 1000pF, \pm 10%
C7819	24109102	Chip, 1000pF, \pm 10%
C7820	24109332	Chip, 3300pF, \pm 10%
C7822	24503053	PF, 1 μ F, 63V
C9100	24436331	CD, 330pF
C9200	24436331	CD, 330pF
CA04	24109103	Chip, 0.01 μ F, \pm 10%
CA05	24109103	Chip, 0.01 μ F, \pm 10%
CA06	24109392	Chip, 3900pF, \pm 10%
CA07	24109392	Chip, 3900pF, \pm 10%
CA08	24109103	Chip, 0.01 μ F, \pm 10%
CA14	24666100	EL, 10 μ F, \pm 20%, 16V
CA18	24666470	EL, 47 μ F, \pm 20%, 16V
CA23	24105101	Chip, 100pF
CA25	24100103	Chip, 0.01 μ F, +80%, -20%
CA27	24092538	Chip, 1 μ F, +80%, -20%, 10V
CA28	24085970	EL, 10 μ F, \pm 20%, 16V, Non-Polar
CA30	24085970	EL, 10 μ F, \pm 20%, 16V, Non-Polar
CA31	24092538	Chip, 1 μ F, +80%, -20%, 10V
CA33	24100103	Chip, 0.01 μ F, +80%, -20%
CA34	24092538	Chip, 1 μ F, +80%, -20%, 10V
CA37	24105101	Chip, 100pF

Location No.	Part No.	Description
CA38	24105101	Chip, 100pF
CA39	24105101	Chip, 100pF
CA42	24109392	Chip, 3900pF, \pm 10%
CA45	24105471	Chip, 470pF
CA46	24105101	Chip, 100pF
CA49	24105101	Chip, 100pF
CA54	24092730	Chip, 0.1 μ F, \pm 10%, 16V
CA59	24105101	Chip, 100pF
CA60	24105101	Chip, 100pF
CA61	24666220	EL, 22 μ F, \pm 20%, 16V
CA68	24666100	EL, 10 μ F, \pm 20%, 16V
CA69	24109103	Chip, 0.01 μ F, \pm 10%
CA71	24105331	Chip, 330pF
CA72	24085970	EL, 10 μ F, \pm 20%, 16V, Non-Polar
CA73	24666100	EL, 10 μ F, \pm 20%, 16V
CA80	24503041	PF, 0.1 μ F, 63V
CA81	24073015	EL, 47 μ F, \pm 20%, 10V
CA82	24503049	PF, 0.47 μ F, 63V
CA251	24073015	EL, 47 μ F, \pm 20%, 10V
CA331	24073015	EL, 47 μ F, \pm 20%, 10V
CA611	24109103	Chip, 0.01 μ F, \pm 10%
CA701	24092538	Chip, 1 μ F, +80%, -20%, 10V
CA705	24666100	EL, 10 μ F, \pm 20%, 16V
CB01	24794470	EL, 47 μ F, \pm 20%, 16V
CB05	24666100	EL, 10 μ F, \pm 20%, 16V
CB13	24085970	EL, 10 μ F, \pm 20%, 16V, Non-Polar
CB14	24105331	Chip, 330pF
CB15	24794100	EL, 10 μ F, \pm 20%, 16V
CB42	24232103	CD, 0.01 μ F, +80%, -20%
CB62	24105331	Chip, 330pF
CB90	24109103	Chip, 0.01 μ F, \pm 10%
CB91	24666100	EL, 10 μ F, \pm 20%, 16V
CD01	24797479	EL, 4.7 μ F, \pm 20%, 50V
CD02	24539104	PF, 0.1 μ F
CD04	24797479	EL, 4.7 μ F, \pm 20%, 50V
CD05	24797479	EL, 4.7 μ F, \pm 20%, 50V
CD06	24797479	EL, 4.7 μ F, \pm 20%, 50V
CD07	24797479	EL, 4.7 μ F, \pm 20%, 50V
CD08	24797100	EL, 10 μ F, \pm 20%, 50V
CD09	24797220	EL, 22 μ F, \pm 20%, 50V
CD10	24797100	EL, 10 μ F, \pm 20%, 50V
CD12	24539224	PF, 0.22 μ F
CD13	24794470	EL, 47 μ F, \pm 20%, 16V
CD14	24590472	PF, 4700pF
CD15	24539104	PF, 0.1 μ F
CD16	24232103	CD, 0.01 μ F, +80%, -20%
CD17	24797479	EL, 4.7 μ F, \pm 20%, 50V
CD18	24763221	EL, 220 μ F, \pm 20%, 16V
CD42	24797479	EL, 4.7 μ F, \pm 20%, 50V
CD44	24797479	EL, 4.7 μ F, \pm 20%, 50V
CD45	24503041	PF, 0.1 μ F, 63V
CD46	24567103	PF, 0.01 μ F
CD47	24797478	EL, 0.47 μ F, \pm 20%, 50V
CD48	24590472	PF, 4700pF
CD49	24797478	EL, 0.47 μ F, \pm 20%, 50V
CD60	24503041	PF, 0.1 μ F, 63V
CD61	24763221	EL, 220 μ F, \pm 20%, 16V
CD62	24232103	CD, 0.01 μ F, +80%, -20%
CD63	24762102	EL, 1000 μ F, \pm 20%, 10V
CD64	24797479	EL, 4.7 μ F, \pm 20%, 50V
CD65	24797100	EL, 10 μ F, \pm 20%, 50V
CD66	24797100	EL, 10 μ F, \pm 20%, 50V

Location No.	Part No.	Description
CD70	24797100	EL, 10 μ F, \pm 20%, 50V
CD103	24797100	EL, 10 μ F, \pm 20%, 50V
CD104	24590102	PF, 1000pF
CD105	24539124	PF, 0.12 μ F
CD106	24539104	PF, 0.1 μ F
CD107	24567823	PF, 0.082 μ F
CD108	24797010	EL, 1 μ F, \pm 20%, 50V
CD109	24797100	EL, 10 μ F, \pm 20%, 50V
CD110	24590103	PF, 0.01 μ F
CD111	24797100	EL, 10 μ F, \pm 20%, 50V
CD113	24797010	EL, 1 μ F, \pm 20%, 50V
CD114	24797010	EL, 1 μ F, \pm 20%, 50V
CD115	24797010	EL, 1 μ F, \pm 20%, 50V
CD116	24590103	PF, 0.01 μ F
CD117	24590103	PF, 0.01 μ F
CD118	24567273	PF, 0.027 μ F
CD119	24232103	CD, 0.01 μ F, +80%, -20%
CD120	24763221	EL, 220 μ F, \pm 20%, 16V
CD121	24590822	PF, 8200pF
CD123	24797100	EL, 10 μ F, \pm 20%, 50V
CD124	24797010	EL, 1 μ F, \pm 20%, 50V
CD125	24567273	PF, 0.027 μ F
CD126	24590822	PF, 8200pF
CD128	24797100	EL, 10 μ F, \pm 20%, 50V
CD129	24797100	EL, 10 μ F, \pm 20%, 50V
CD131	24797100	EL, 10 μ F, \pm 20%, 50V
CH001	24100104	Chip, 0.1 μ F, +80%, -20%, 25V
CH004	24100104	Chip, 0.1 μ F, +80%, -20%, 25V
CH005	24100104	Chip, 0.1 μ F, +80%, -20%, 25V
CH006	24100104	Chip, 0.1 μ F, +80%, -20%, 25V
CH007	24100104	Chip, 0.1 μ F, +80%, -20%, 25V
CH008	24100104	Chip, 0.1 μ F, +80%, -20%, 25V
CH009	24100104	Chip, 0.1 μ F, +80%, -20%, 25V
CH010	24092743	Chip, 0.47 μ F, +80%, -20%, 10V
CH011	24762221	EL, 220 μ F, \pm 20%, 10V
CH012	24763101	EL, 100 μ F, \pm 20%, 16V
CH013	24763101	EL, 100 μ F, \pm 20%, 16V
CH014	24108101	Chip, 100pF
CH015	24108330	Chip, 33pF
CH016	24108330	Chip, 33pF
CH017	24108330	Chip, 33pF
CH018	24108330	Chip, 33pF
CH019	24108330	Chip, 33pF
CH020	24108330	Chip, 33pF
CH040	24100104	Chip, 0.1 μ F, +80%, -20%, 25V
CH041	24108101	Chip, 100pF
CH042	24108101	Chip, 100pF
CH043	24108101	Chip, 100pF
CH044	24108101	Chip, 100pF
CH051	24100104	Chip, 0.1 μ F, +80%, -20%, 25V
CH052	24100104	Chip, 0.1 μ F, +80%, -20%, 25V
CH053	24105070	Chip, 7pF, \pm 0.5pF
CH061	24109103	Chip, 0.01 μ F, \pm 10%
CH062	24092730	Chip, 0.1 μ F, \pm 10%, 16V
CH063	24100104	Chip, 0.1 μ F, +80%, -20%, 25V
CH101	24105070	Chip, 7pF, \pm 0.5pF
CH102	24105070	Chip, 7pF, \pm 0.5pF
CH120	24100104	Chip, 0.1 μ F, +80%, -20%, 25V
CH121	24100104	Chip, 0.1 μ F, +80%, -20%, 25V
CH122	24100104	Chip, 0.1 μ F, +80%, -20%, 25V
CH123	24100104	Chip, 0.1 μ F, +80%, -20%, 25V
CH124	24100104	Chip, 0.1 μ F, +80%, -20%, 25V
CH125	24100104	Chip, 0.1 μ F, +80%, -20%, 25V

Location No.	Part No.	Description
CH126	24100104	Chip, 0.1 μ F, +80%, -20%, 25V
CH127	24100104	Chip, 0.1 μ F, +80%, -20%, 25V
CH128	24108221	Chip, 220pF
CH129	24108221	Chip, 220pF
CH140	24100104	Chip, 0.1 μ F, +80%, -20%, 25V
CH141	24100104	Chip, 0.1 μ F, +80%, -20%, 25V
CH142	24100104	Chip, 0.1 μ F, +80%, -20%, 25V
CH143	24100104	Chip, 0.1 μ F, +80%, -20%, 25V
CH144	24100104	Chip, 0.1 μ F, +80%, -20%, 25V
CH145	24100104	Chip, 0.1 μ F, +80%, -20%, 25V
CH146	24100104	Chip, 0.1 μ F, +80%, -20%, 25V
CH147	24100104	Chip, 0.1 μ F, +80%, -20%, 25V
CH148	24108221	Chip, 220pF
CH149	24108221	Chip, 220pF
CH160	24100104	Chip, 0.1 μ F, +80%, -20%, 25V
CH161	24100104	Chip, 0.1 μ F, +80%, -20%, 25V
CH162	24100104	Chip, 0.1 μ F, +80%, -20%, 25V
CH163	24100104	Chip, 0.1 μ F, +80%, -20%, 25V
CH164	24100104	Chip, 0.1 μ F, +80%, -20%, 25V
CH165	24100104	Chip, 0.1 μ F, +80%, -20%, 25V
CH166	24100104	Chip, 0.1 μ F, +80%, -20%, 25V
CH167	24100104	Chip, 0.1 μ F, +80%, -20%, 25V
CH168	24108221	Chip, 220pF
CH169	24108221	Chip, 220pF
CH170	24105561	Chip, 56pF
CH171	24105821	Chip, 820pF
CH172	24105331	Chip, 330pF
CH173	24105102	Chip, 1000pF, 25V
CH174	24105391	Chip, 390pF
CH175	24105220	Chip, 22pF
CH176	24105391	Chip, 390pF
CH177	24105220	Chip, 22pF
CH178	24105151	Chip, 150pF
CH179	24105102	Chip, 1000pF, 25V
CH180	24105561	Chip, 56pF
CH181	24105821	Chip, 820pF
CH182	24105391	Chip, 390pF
CH183	24105220	Chip, 22pF
CH184	24105391	Chip, 390pF
CH185	24105220	Chip, 22pF
CH186	24105331	Chip, 330pF
CH187	24105102	Chip, 1000pF, 25V
CH188	24105151	Chip, 150pF
CH189	24105102	Chip, 1000pF, 25V
CH190	24105821	Chip, 820pF
CH191	24105561	Chip, 56pF
CH192	24105391	Chip, 390pF
CH193	24105220	Chip, 22pF
CH194	24105331	Chip, 330pF
CH195	24105102	Chip, 1000pF, 25V
CH196	24105391	Chip, 390pF
CH197	24105220	Chip, 22pF
CH198	24105151	Chip, 150pF
CH199	24105102	Chip, 1000pF, 25V
CH200	24105561	Chip, 56pF
CH201	24105821	Chip, 820pF
CH202	24105220	Chip, 22pF
CH203	24105391	Chip, 390pF
CH204	24105391	Chip, 390pF
CH205	24105220	Chip, 22pF
CH206	24105331	Chip, 330pF
CH207	24105102	Chip, 1000pF, 25V
CH208	24105151	Chip, 150pF
CH209	24105102	Chip, 1000pF, 25V

Location No.	Part No.	Description
CH210	24105821	Chip, 820pF
CH211	24105561	Chip, 56pF
CH212	24105331	Chip, 330pF
CH213	24105102	Chip, 1000pF, 25V
CH223	24105391	Chip, 390pF
CH224	24105220	Chip, 22pF
CH225	24105391	Chip, 390pF
CH226	24105220	Chip, 22pF
CH227	24105151	Chip, 150pF
CH228	24105102	Chip, 1000pF, 25V
CH229	24105561	Chip, 56pF
CH230	24105821	Chip, 820pF
CH231	24105391	Chip, 390pF
CH232	24105220	Chip, 22pF
CH233	24105391	Chip, 390pF
CH234	24105220	Chip, 22pF
CH235	24105331	Chip, 330pF
CH236	24105102	Chip, 1000pF, 25V
CH237	24105151	Chip, 150pF
CH238	24105102	Chip, 1000pF, 25V
CH241	24100104	Chip, 0.1 μ F, +80%, -20%, 25V
CH247	24100104	Chip, 0.1 μ F, +80%, -20%, 25V
CH249	24092730	Chip, 0.1 μ F, \pm 10%, 16V
CH250	24092730	Chip, 0.1 μ F, \pm 10%, 16V
CH301	24109472	Chip, 4700pF, \pm 10%
CH302	24100104	Chip, 0.1 μ F, +80%, -20%, 25V
CH303	24100104	Chip, 0.1 μ F, +80%, -20%, 25V
CH304	24109472	Chip, 4700pF, \pm 10%
CH305	24567104	PF, 0.1 μ F
CH306	24567104	PF, 0.1 μ F
CH307	24109472	Chip, 4700pF, \pm 10%
CH308	24100104	Chip, 0.1 μ F, +80%, -20%, 25V
CH309	24100104	Chip, 0.1 μ F, +80%, -20%, 25V
CH310	24109472	Chip, 4700pF, \pm 10%
CH311	24567104	PF, 0.1 μ F
CH312	24567104	PF, 0.1 μ F
CH313	24100104	Chip, 0.1 μ F, +80%, -20%, 25V
CH314	24100104	Chip, 0.1 μ F, +80%, -20%, 25V
CH315	24567104	PF, 0.1 μ F
CH316	24567104	PF, 0.1 μ F
CH317	24100104	Chip, 0.1 μ F, +80%, -20%, 25V
CH318	24567104	PF, 0.1 μ F
CH319	24567104	PF, 0.1 μ F
CH320	24100104	Chip, 0.1 μ F, +80%, -20%, 25V
CH321	24763101	EL, 100 μ F, \pm 20%, 16V
CH322	24763101	EL, 100 μ F, \pm 20%, 16V
CH401	24105220	Chip, 22pF
CH402	24105220	Chip, 22pF
CH403	24100103	Chip, 0.01 μ F, +80%, -20%
CH404	24100103	Chip, 0.01 μ F, +80%, -20%
CH407	24100103	Chip, 0.01 μ F, +80%, -20%
CH408	24794100	EL, 10 μ F, \pm 20%, 16V
CH409	24100103	Chip, 0.01 μ F, +80%, -20%
CH413	24100104	Chip, 0.1 μ F, +80%, -20%, 25V
CH414	24100104	Chip, 0.1 μ F, +80%, -20%, 25V
CR12	24092730	Chip, 0.1 μ F, \pm 10%, 16V
CR13	24092730	Chip, 0.1 μ F, \pm 10%, 16V
CR14	24092730	Chip, 0.1 μ F, \pm 10%, 16V
CR15	24092730	Chip, 0.1 μ F, \pm 10%, 16V
CR16	24092730	Chip, 0.1 μ F, \pm 10%, 16V
CR17	24092730	Chip, 0.1 μ F, \pm 10%, 16V
CS03	24436221	CD, 220pF
CS04	24206010	EL, 1 μ F, \pm 20%, 50V
CS07	24436221	CD, 220pF

Location No.	Part No.	Description
CS08	24206010	EL, 1 μ F, \pm 20%, 50V
CS09	24436331	CD, 330pF
CS10	24206229	EL, 2.2 μ F, \pm 20%, 50V
CS11	24206010	EL, 1 μ F, \pm 20%, 50V
CS12	24436221	CD, 220pF
CS13	24206010	EL, 1 μ F, \pm 20%, 50V
CS14	24436221	CD, 220pF
CS15	24436331	CD, 330pF
CS16	24206229	EL, 2.2 μ F, \pm 20%, 50V
CS21	24436101	CD, 100pF
CS22	24436101	CD, 100pF
CS24	24436331	CD, 330pF
CS25	24206229	EL, 2.2 μ F, \pm 20%, 50V
CS28	24436331	CD, 330pF
CS29	24436331	CD, 330pF
CS32	24203100	EL, 10 μ F, \pm 20%, 16V
CS33	24203100	EL, 10 μ F, \pm 20%, 16V
CS34	24436331	CD, 330pF
CS35	24206229	EL, 2.2 μ F, \pm 20%, 50V
CS36	24206229	EL, 2.2 μ F, \pm 20%, 50V
CS38	24206229	EL, 2.2 μ F, \pm 20%, 50V
CS43	24203100	EL, 10 μ F, \pm 20%, 16V
CS45	24203100	EL, 10 μ F, \pm 20%, 16V
CS51	24206229	EL, 2.2 μ F, \pm 20%, 50V
CS52	24206229	EL, 2.2 μ F, \pm 20%, 50V
CS53	24206229	EL, 2.2 μ F, \pm 20%, 50V
CS54	24206229	EL, 2.2 μ F, \pm 20%, 50V
CS55	24436331	CD, 330pF
CS56	24436331	CD, 330pF
CS57	24436331	CD, 330pF
CS58	24436331	CD, 330pF
CS60	24503041	PF, 0.1 μ F, 63V
CS122	24797101	EL, 100 μ F, \pm 20%, 50V
CS123	24797470	EL, 47 μ F, \pm 20%, 50V
CS124	24797229	EL, 2.2 μ F, \pm 20%, 50V
CS125	24590103	PF, 0.01 μ F
CS652	24666220	EL, 22 μ F, \pm 20%, 16V
CS676	24109103	Chip, 0.01 μ F, \pm 10%
CV01	24085981	EL, 10 μ F, \pm 20%, 16V, Non-Polar
CV02	24232103	CD, 0.01 μ F, +80%, -20%
CV03	24085981	EL, 10 μ F, \pm 20%, 16V, Non-Polar
CV04	24203100	EL, 10 μ F, \pm 20%, 16V
CV05	24203100	EL, 10 μ F, \pm 20%, 16V
CV08	24666102	EL, 1000 μ F, \pm 20%, 16V
CV10	24203100	EL, 10 μ F, \pm 20%, 16V
CV13	24794100	EL, 10 μ F, \pm 20%, 16V
CV14	24232103	CD, 0.01 μ F, +80%, -20%
CV15	24232103	CD, 0.01 μ F, +80%, -20%
CV17	24203100	EL, 10 μ F, \pm 20%, 16V
CV21	24203100	EL, 10 μ F, \pm 20%, 16V
CV22	24203100	EL, 10 μ F, \pm 20%, 16V
CV23	24232103	CD, 0.01 μ F, +80%, -20%
CV24	24212102	CD, 1000pF, \pm 10%
CV27	24762471	EL, 470 μ F, \pm 20%, 10V
CV29	24763101	EL, 100 μ F, \pm 20%, 16V
CV30	24232103	CD, 0.01 μ F, +80%, -20%
CV37	24797339	EL, 3.3 μ F, \pm 20%, 50V
CV38	24203101	EL, 100 μ F, \pm 20%, 16V
CV39	24212102	CD, 1000pF, \pm 10%
CV46	24232103	CD, 0.01 μ F, +80%, -20%
CV60	24203470	EL, 47 μ F, \pm 20%, 16V
CV61	24203470	EL, 47 μ F, \pm 20%, 16V

Location No.	Part No.	Description
CV62	24232103	CD, 0.01 μ F, +80%, -20%
CV63	24109103	Chip, 0.01 μ F, \pm 10%
CV64	24206100	EL, 10 μ F, \pm 20%, 50V
CV65	24591122	PF, 1200pF
CV66	24436561	CD, 560pF
CV67	24591102	PF, 1000pF
CV68	24206010	EL, 1 μ F, \pm 20%, 50V
CV77	24763222	EL, 2200 μ F, \pm 20%, 16V
CV78	24109103	Chip, 0.01 μ F, \pm 10%
CV100	24206229	EL, 2.2 μ F, \pm 20%, 50V
CV135	24203470	EL, 47 μ F, \pm 20%, 16V
CV136	24203470	EL, 47 μ F, \pm 20%, 16V
CV137	24203470	EL, 47 μ F, \pm 20%, 16V
CV138	24203470	EL, 47 μ F, \pm 20%, 16V
CV501	24619157	Chip, 10pF, 16V
CV505	24109103	Chip, 0.01 μ F, \pm 10%
CW09	24109103	Chip, 0.01 μ F, \pm 10%
CX101	24619046	Chip, 47pF, \pm 20%, 16V
CX102	24619046	Chip, 47pF, \pm 20%, 16V
CX111	24100104	Chip, 0.1 μ F, +80%, -20%, 25V
CX112	24105181	Chip, 180pF
CX113	24105820	Chip, 820pF
CX114	24105101	Chip, 100pF
CX115	24092616	Chip, 0.33 μ F, \pm 10%, 16V
CX116	24100104	Chip, 0.1 μ F, +80%, -20%, 25V
CX117	24619042	Chip, 22pF, \pm 20%, 16V
CX118	24100104	Chip, 0.1 μ F, +80%, -20%, 25V
CX121	24100104	Chip, 0.1 μ F, +80%, -20%, 25V
CX122	24105121	Chip, 120pF
CX123	24105151	Chip, 150pF
CX124	24105331	Chip, 330pF
CX125	24092616	Chip, 0.33 μ F, \pm 10%, 16V
CX126	24100104	Chip, 0.1 μ F, +80%, -20%, 25V
CX127	24619042	Chip, 22pF, \pm 20%, 16V
CX128	24100104	Chip, 0.1 μ F, +80%, -20%, 25V
CX131	24100104	Chip, 0.1 μ F, +80%, -20%, 25V
CX132	24105121	Chip, 120pF
CX133	24105151	Chip, 150pF
CX134	24105331	Chip, 330pF
CX135	24092616	Chip, 0.33 μ F, \pm 10%, 16V
CX136	24100104	Chip, 0.1 μ F, +80%, -20%, 25V
CX137	24619042	Chip, 22pF, \pm 20%, 16V
CX141	24100104	Chip, 0.1 μ F, +80%, -20%, 25V
CX142	24105181	Chip, 180pF
CX143	24105820	Chip, 820pF
CX144	24105121	Chip, 120pF
CX145	24092616	Chip, 0.33 μ F, \pm 10%, 16V
CX146	24100104	Chip, 0.1 μ F, +80%, -20%, 25V
CX147	24619042	Chip, 22pF, \pm 20%, 16V
CX151	24100104	Chip, 0.1 μ F, +80%, -20%, 25V
CX152	24105121	Chip, 120pF
CX153	24105151	Chip, 150pF
CX154	24105331	Chip, 330pF
CX155	24092616	Chip, 0.33 μ F, \pm 10%, 16V
CX156	24100104	Chip, 0.1 μ F, +80%, -20%, 25V
CX157	24619042	Chip, 22pF, \pm 20%, 16V
CX161	24100104	Chip, 0.1 μ F, +80%, -20%, 25V
CX162	24105121	Chip, 120pF
CX163	24105151	Chip, 150pF
CX164	24105331	Chip, 330pF
CX165	24092616	Chip, 0.33 μ F, \pm 10%, 16V
CX166	24100104	Chip, 0.1 μ F, +80%, -20%, 25V
CX167	24619042	Chip, 22pF, \pm 20%, 16V
CX171	24100104	Chip, 0.1 μ F, +80%, -20%, 25V

Location No.	Part No.	Description
CX172	24100104	Chip, 0.1 μ F, +80%, -20%, 25V
CX173	24619070	Chip, 1pF, \pm 20%
CX174	24619157	Chip, 10pF, 16V
CX175	24100104	Chip, 0.1 μ F, +80%, -20%, 25V
CX176	24619157	Chip, 10pF, 16V
CX181	24105101	Chip, 100pF
CX182	24105101	Chip, 100pF
CX183	24105101	Chip, 100pF
CX184	24105101	Chip, 100pF
CX185	24105101	Chip, 100pF
CX186	24105101	Chip, 100pF
CX193	24092730	Chip, 0.1 μ F, \pm 10%, 16V
CX205	24109103	Chip, 0.01 μ F, \pm 10%
CX206	24100104	Chip, 0.1 μ F, +80%, -20%, 25V
CX207	24100104	Chip, 0.1 μ F, +80%, -20%, 25V
CX221	24619040	Chip, 10pF, \pm 20%, 16V
CX222	24100104	Chip, 0.1 μ F, +80%, -20%, 25V
CX223	24100104	Chip, 0.1 μ F, +80%, -20%, 25V
CX224	24100104	Chip, 0.1 μ F, +80%, -20%, 25V
CX225	24100104	Chip, 0.1 μ F, +80%, -20%, 25V
CX226	24100104	Chip, 0.1 μ F, +80%, -20%, 25V
CX227	24100104	Chip, 0.1 μ F, +80%, -20%, 25V
CX228	24100104	Chip, 0.1 μ F, +80%, -20%, 25V
CX229	24100104	Chip, 0.1 μ F, +80%, -20%, 25V
CX230	24619040	Chip, 10pF, \pm 20%, 16V
CX241	24619040	Chip, 10pF, \pm 20%, 16V
CX242	24100104	Chip, 0.1 μ F, +80%, -20%, 25V
CX243	24100104	Chip, 0.1 μ F, +80%, -20%, 25V
CX244	24100104	Chip, 0.1 μ F, +80%, -20%, 25V
CX245	24100104	Chip, 0.1 μ F, +80%, -20%, 25V
CX246	24100104	Chip, 0.1 μ F, +80%, -20%, 25V
CX248	24100104	Chip, 0.1 μ F, +80%, -20%, 25V
CX249	24100104	Chip, 0.1 μ F, +80%, -20%, 25V
CX250	24619040	Chip, 10pF, \pm 20%, 16V
CX252	24100104	Chip, 0.1 μ F, +80%, -20%, 25V
CX253	24100104	Chip, 0.1 μ F, +80%, -20%, 25V
CX257	24100104	Chip, 0.1 μ F, +80%, -20%, 25V
CX261	24619040	Chip, 10pF, \pm 20%, 16V
CX262	24100104	Chip, 0.1 μ F, +80%, -20%, 25V
CX263	24100104	Chip, 0.1 μ F, +80%, -20%, 25V
CX264	24100104	Chip, 0.1 μ F, +80%, -20%, 25V
CX265	24100104	Chip, 0.1 μ F, +80%, -20%, 25V
CX266	24100104	Chip, 0.1 μ F, +80%, -20%, 25V
CX267	24100104	Chip, 0.1 μ F, +80%, -20%, 25V
CX269	24100104	Chip, 0.1 μ F, +80%, -20%, 25V
CX270	24619040	Chip, 10pF, \pm 20%, 16V
CX301	24619151	Chip, 47pF, 6.3V
CX302	24619151	Chip, 47pF, 6.3V
CX303	24100104	Chip, 0.1 μ F, +80%, -20%, 25V
CX304	24092538	Chip, 1 μ F, +80%, -20%, 10V
CX305	24100104	Chip, 0.1 μ F, +80%, -20%, 25V
CX306	24100104	Chip, 0.1 μ F, +80%, -20%, 25V
CX307	24092538	Chip, 1 μ F, +80%, -20%, 10V
CX308	24100104	Chip, 0.1 μ F, +80%, -20%, 25V
CX309	24100104	Chip, 0.1 μ F, +80%, -20%, 25V
CX310	24100104	Chip, 0.1 μ F, +80%, -20%, 25V
CX311	24100104	Chip, 0.1 μ F, +80%, -20%, 25V
CX312	24100104	Chip, 0.1 μ F, +80%, -20%, 25V
CX313	24100104	Chip, 0.1 μ F, +80%, -20%, 25V
CX314	24100104	Chip, 0.1 μ F, +80%, -20%, 25V
CX315	24092538	Chip, 1 μ F, +80%, -20%, 10V
CX316	24092538	Chip, 1 μ F, +80%, -20%, 10V
CX317	24092538	Chip, 1 μ F, +80%, -20%, 10V
CX318	24092538	Chip, 1 μ F, +80%, -20%, 10V

Location No.	Part No.	Description
CX319	24092538	Chip, 1 μ F, +80%, -20%, 10V
CX320	24100104	Chip, 0.1 μ F, +80%, -20%, 25V
CX321	24092538	Chip, 1 μ F, +80%, -20%, 10V
CX322	24100104	Chip, 0.1 μ F, +80%, -20%, 25V
CX323	24092538	Chip, 1 μ F, +80%, -20%, 10V
CX324	24092538	Chip, 1 μ F, +80%, -20%, 10V
CX325	24092538	Chip, 1 μ F, +80%, -20%, 10V
CX326	24100104	Chip, 0.1 μ F, +80%, -20%, 25V
CX327	24092538	Chip, 1 μ F, +80%, -20%, 10V
CX328	24092538	Chip, 1 μ F, +80%, -20%, 10V
CX329	24100104	Chip, 0.1 μ F, +80%, -20%, 25V
CX330	24100104	Chip, 0.1 μ F, +80%, -20%, 25V
CX331	24092538	Chip, 1 μ F, +80%, -20%, 10V
CX332	24100104	Chip, 0.1 μ F, +80%, -20%, 25V
CX340	24619148	Chip, 10pF, 6.3V
CX341	24100104	Chip, 0.1 μ F, +80%, -20%, 25V
CX342	24100104	Chip, 0.1 μ F, +80%, -20%, 25V
CX343	24092538	Chip, 1 μ F, +80%, -20%, 10V
CX344	24092538	Chip, 1 μ F, +80%, -20%, 10V
CX345	24092730	Chip, 0.1 μ F, \pm 10%, 16V
CX346	24100104	Chip, 0.1 μ F, +80%, -20%, 25V
CX347	24092730	Chip, 0.1 μ F, \pm 10%, 16V
CX348	24092730	Chip, 0.1 μ F, \pm 10%, 16V
CX349	24100104	Chip, 0.1 μ F, +80%, -20%, 25V
CX350	24092730	Chip, 0.1 μ F, \pm 10%, 16V
CX351	24105330	Chip, 33pF
CX352	24105330	Chip, 33pF
CX361	24100104	Chip, 0.1 μ F, +80%, -20%, 25V
CX362	24100104	Chip, 0.1 μ F, +80%, -20%, 25V
CX363	24100104	Chip, 0.1 μ F, +80%, -20%, 25V
CX367	24100104	Chip, 0.1 μ F, +80%, -20%, 25V
CX368	24100104	Chip, 0.1 μ F, +80%, -20%, 25V
CX369	24092538	Chip, 1 μ F, +80%, -20%, 10V
CX370	24619151	Chip, 47pF, 6.3V
CX371	24092538	Chip, 1 μ F, +80%, -20%, 10V
CX372	24100104	Chip, 0.1 μ F, +80%, -20%, 25V
CX373	24092538	Chip, 1 μ F, +80%, -20%, 10V
CX374	24100104	Chip, 0.1 μ F, +80%, -20%, 25V
CX375	24092538	Chip, 1 μ F, +80%, -20%, 10V
CX376	24100104	Chip, 0.1 μ F, +80%, -20%, 25V
CX377	24092538	Chip, 1 μ F, +80%, -20%, 10V
CX381	24092538	Chip, 1 μ F, +80%, -20%, 10V
CX382	24092538	Chip, 1 μ F, +80%, -20%, 10V
CX383	24100104	Chip, 0.1 μ F, +80%, -20%, 25V
CX384	24092538	Chip, 1 μ F, +80%, -20%, 10V
CX385	24100104	Chip, 0.1 μ F, +80%, -20%, 25V
CX386	24092538	Chip, 1 μ F, +80%, -20%, 10V
CX387	24100104	Chip, 0.1 μ F, +80%, -20%, 25V
CX391	24100104	Chip, 0.1 μ F, +80%, -20%, 25V
CX431	24100104	Chip, 0.1 μ F, +80%, -20%, 25V
CX432	24100104	Chip, 0.1 μ F, +80%, -20%, 25V
CX471	24100104	Chip, 0.1 μ F, +80%, -20%, 25V
CX473	24092538	Chip, 1 μ F, +80%, -20%, 10V
CX541	24619040	Chip, 10pF, \pm 20%, 16V
CX551	24100104	Chip, 0.1 μ F, +80%, -20%, 25V
CX552	24105820	Chip, 820pF
CX553	24105270	Chip, 27pF
CX554	24105560	Chip, 56pF
CX555	24100104	Chip, 0.1 μ F, +80%, -20%, 25V
CX561	24100104	Chip, 0.1 μ F, +80%, -20%, 25V
CX562	24105101	Chip, 100pF
CX564	24105330	Chip, 33pF
CX565	24100104	Chip, 0.1 μ F, +80%, -20%, 25V
CX571	24100104	Chip, 0.1 μ F, +80%, -20%, 25V

Location No.	Part No.	Description
CX572	24105101	Chip, 100pF
CX574	24105330	Chip, 33pF
CX575	24100104	Chip, 0.1 μ F, +80%, -20%, 25V
CX601	24619151	Chip, 47pF, 6.3V
CX602	24619157	Chip, 10pF, 16V
CX604	24100104	Chip, 0.1 μ F, +80%, -20%, 25V
CX605	24100104	Chip, 0.1 μ F, +80%, -20%, 25V
CX607	24100104	Chip, 0.1 μ F, +80%, -20%, 25V
CX611	24100104	Chip, 0.1 μ F, +80%, -20%, 25V
CX612	24100104	Chip, 0.1 μ F, +80%, -20%, 25V
CX613	24100104	Chip, 0.1 μ F, +80%, -20%, 25V
CX614	24100104	Chip, 0.1 μ F, +80%, -20%, 25V
CX615	24100104	Chip, 0.1 μ F, +80%, -20%, 25V
CX616	24100104	Chip, 0.1 μ F, +80%, -20%, 25V
CX617	24100104	Chip, 0.1 μ F, +80%, -20%, 25V
CX618	24100104	Chip, 0.1 μ F, +80%, -20%, 25V
CX619	24100104	Chip, 0.1 μ F, +80%, -20%, 25V
CX620	24100104	Chip, 0.1 μ F, +80%, -20%, 25V
CX621	24100104	Chip, 0.1 μ F, +80%, -20%, 25V
CX622	24100104	Chip, 0.1 μ F, +80%, -20%, 25V
CX623	24100104	Chip, 0.1 μ F, +80%, -20%, 25V
CX624	24100104	Chip, 0.1 μ F, +80%, -20%, 25V
CX625	24100104	Chip, 0.1 μ F, +80%, -20%, 25V
CX626	24100104	Chip, 0.1 μ F, +80%, -20%, 25V
CX627	24100104	Chip, 0.1 μ F, +80%, -20%, 25V
CX628	24100104	Chip, 0.1 μ F, +80%, -20%, 25V
CX629	24100104	Chip, 0.1 μ F, +80%, -20%, 25V
CX630	24100104	Chip, 0.1 μ F, +80%, -20%, 25V
CX631	24100104	Chip, 0.1 μ F, +80%, -20%, 25V
CX632	24100104	Chip, 0.1 μ F, +80%, -20%, 25V
CX633	24100104	Chip, 0.1 μ F, +80%, -20%, 25V
CX640	24619149	Chip, 22pF, 6.3V
CX641	24100104	Chip, 0.1 μ F, +80%, -20%, 25V
CX642	24100104	Chip, 0.1 μ F, +80%, -20%, 25V
CX643	24100104	Chip, 0.1 μ F, +80%, -20%, 25V
CX644	24100104	Chip, 0.1 μ F, +80%, -20%, 25V
CX645	24100104	Chip, 0.1 μ F, +80%, -20%, 25V
CX646	24100104	Chip, 0.1 μ F, +80%, -20%, 25V
CX647	24100104	Chip, 0.1 μ F, +80%, -20%, 25V
CX670	24619040	Chip, 10pF, \pm 20%, 16V
CX671	24100104	Chip, 0.1 μ F, +80%, -20%, 25V
CX673	24619148	Chip, 10pF, 6.3V
CX674	24100104	Chip, 0.1 μ F, +80%, -20%, 25V
CX675	24100104	Chip, 0.1 μ F, +80%, -20%, 25V
CX676	24100104	Chip, 0.1 μ F, +80%, -20%, 25V
CX691	24100104	Chip, 0.1 μ F, +80%, -20%, 25V
CX811	24105330	Chip, 33pF
CX812	24105330	Chip, 33pF
CX821	24105100	Chip, 10pF, \pm 0.5pF
CX822	24105100	Chip, 10pF, \pm 0.5pF
CX823	24105100	Chip, 10pF, \pm 0.5pF
CX824	24105221	Chip, 220pF
CX825	24105221	Chip, 220pF
CX826	24105221	Chip, 220pF
CX827	24105221	Chip, 220pF
CX829	24105221	Chip, 220pF
CX844	24105221	Chip, 220pF
CX845	24105221	Chip, 220pF
CY21	24100104	Chip, 0.1 μ F, +80%, -20%, 25V
CY22	24100104	Chip, 0.1 μ F, +80%, -20%, 25V
CY23	24619158	Chip, 22pF, 16V
CY24	24100104	Chip, 0.1 μ F, +80%, -20%, 25V
CY25	24100104	Chip, 0.1 μ F, +80%, -20%, 25V
CY26	24100104	Chip, 0.1 μ F, +80%, -20%, 25V

Location No.	Part No.	Description
CY27	24092730	Chip, 0.1 μ F, \pm 10%, 16V
CY28	24092730	Chip, 0.1 μ F, \pm 10%, 16V
CY29	24092730	Chip, 0.1 μ F, \pm 10%, 16V
CY32	24619151	Chip, 47pF, 6.3V
CY33	24100104	Chip, 0.1 μ F, +80%, -20%, 25V
CY35	24100104	Chip, 0.1 μ F, +80%, -20%, 25V
CY36	24105120	Chip, 12pF
CY37	24105120	Chip, 12pF
CY38	24105120	Chip, 12pF
CY39	24092463	Chip, 0.22 μ F, \pm 10%, 16V
CY40	24109222	Chip, 2200pF, \pm 10%
CY41	24109103	Chip, 0.01 μ F, \pm 10%
CY42	24619071	Chip, 2.2pF, \pm 20%
CY43	24092463	Chip, 0.22 μ F, \pm 10%, 16V
CY44	24619071	Chip, 2.2pF, \pm 20%
CY45	24109223	Chip, 0.022 μ F, \pm 10%, 25V
CY105	24105221	Chip, 220pF
CY186	24100104	Chip, 0.1 μ F, +80%, -20%, 25V
CY501	24619157	Chip, 10pF, 16V
CY505	24109103	Chip, 0.01 μ F, \pm 10%
CY601	24619046	Chip, 47pF, \pm 20%, 16V
CY602	24100104	Chip, 0.1 μ F, +80%, -20%, 25V
CY603	24100104	Chip, 0.1 μ F, +80%, -20%, 25V
CY604	24100104	Chip, 0.1 μ F, +80%, -20%, 25V
CY605	24100104	Chip, 0.1 μ F, +80%, -20%, 25V
CY606	24100104	Chip, 0.1 μ F, +80%, -20%, 25V
CY621	24100104	Chip, 0.1 μ F, +80%, -20%, 25V
CY622	24100104	Chip, 0.1 μ F, +80%, -20%, 25V
CY623	24105101	Chip, 100pF
CY624	24105101	Chip, 100pF
CY661	24100104	Chip, 0.1 μ F, +80%, -20%, 25V
CY662	24100104	Chip, 0.1 μ F, +80%, -20%, 25V
CY663	24105101	Chip, 100pF
CY664	24105101	Chip, 100pF
CY813	24092538	Chip, 1 μ F, +80%, -20%, 10V
CY822	24105330	Chip, 33pF
CY824	24100104	Chip, 0.1 μ F, +80%, -20%, 25V
CY825	24092538	Chip, 1 μ F, +80%, -20%, 10V
CY826	24105330	Chip, 33pF
CY827	24105330	Chip, 33pF
CY828	24105330	Chip, 33pF
CY829	24105330	Chip, 33pF
CY830	24105330	Chip, 33pF
CY900	24619151	Chip, 47pF, 6.3V
CZ02	24100104	Chip, 0.1 μ F, +80%, -20%, 25V
CZ03	24092730	Chip, 0.1 μ F, \pm 10%, 16V
CZ04	24105121	Chip, 120pF
CZ05	24105101	Chip, 100pF
CZ06	24105330	Chip, 33pF
CZ08	24100104	Chip, 0.1 μ F, +80%, -20%, 25V
CZ09	24109103	Chip, 0.01 μ F, \pm 10%
CZ10	24619157	Chip, 10pF, 16V
CZ11	24100104	Chip, 0.1 μ F, +80%, -20%, 25V
CZ12	24105101	Chip, 100pF
CZ13	24105101	Chip, 100pF
CZ14	24105151	Chip, 150pF
CZ28	24109561	Chip, 560pF, \pm 10%
CZ29	24092538	Chip, 1 μ F, +80%, -20%, 10V
CZ30	24092730	Chip, 0.1 μ F, \pm 10%, 16V
CZ31	24092730	Chip, 0.1 μ F, \pm 10%, 16V
CZ32	24100104	Chip, 0.1 μ F, +80%, -20%, 25V
CZ33	24109102	Chip, 1000pF, \pm 10%
CZ34	24100104	Chip, 0.1 μ F, +80%, -20%, 25V
CZ35	24619070	Chip, 1pF, \pm 20%

Location No.	Part No.	Description
CZ36	24619151	Chip, 47pF, 6.3V
CZ37	24100104	Chip, 0.1 μ F, +80%, -20%, 25V
CZ38	24100104	Chip, 0.1 μ F, +80%, -20%, 25V
CZ39	24100104	Chip, 0.1 μ F, +80%, -20%, 25V
CZ40	24100104	Chip, 0.1 μ F, +80%, -20%, 25V
CZ41	24100104	Chip, 0.1 μ F, +80%, -20%, 25V
CZ42	24100104	Chip, 0.1 μ F, +80%, -20%, 25V
CZ43	24100104	Chip, 0.1 μ F, +80%, -20%, 25V
CZ44	24092730	Chip, 0.1 μ F, \pm 10%, 16V
CZ45	24100104	Chip, 0.1 μ F, +80%, -20%, 25V
CZ46	24100104	Chip, 0.1 μ F, +80%, -20%, 25V
CZ47	24105820	Chip, 820pF
CZ48	24092730	Chip, 0.1 μ F, \pm 10%, 16V
CZ49	24092730	Chip, 0.1 μ F, \pm 10%, 16V
CZ50	24100104	Chip, 0.1 μ F, +80%, -20%, 25V
CZ51	24092730	Chip, 0.1 μ F, \pm 10%, 16V
CZ52	24092730	Chip, 0.1 μ F, \pm 10%, 16V
CZ54	24100104	Chip, 0.1 μ F, +80%, -20%, 25V
CZ57	24105181	Chip, 180pF
CZ58	24105560	Chip, 56pF
CZ60	24100104	Chip, 0.1 μ F, +80%, -20%, 25V
CZ77	24092730	Chip, 0.1 μ F, \pm 10%, 16V
CZ96	24105270	Chip, 27pF
CZ101	24092441	Chip, 1 μ F, +80%, -20%, 16V
CZ102	24619157	Chip, 10pF, 16V
CZ103	24100104	Chip, 0.1 μ F, +80%, -20%, 25V
CZ104	24109103	Chip, 0.01 μ F, \pm 10%
CZ105	24109103	Chip, 0.01 μ F, \pm 10%
CZ106	24109103	Chip, 0.01 μ F, \pm 10%
CZ108	24100104	Chip, 0.1 μ F, +80%, -20%, 25V
CZ109	24105101	Chip, 100pF
CZ111	24109103	Chip, 0.01 μ F, \pm 10%
CZ112	24105181	Chip, 180pF
CZ113	24109103	Chip, 0.01 μ F, \pm 10%
CZ114	24109103	Chip, 0.01 μ F, \pm 10%
CZ115	24105390	Chip, 39pF
CZ116	24105470	Chip, 47pF
CZ117	24105680	Chip, 68pF
CZ800	24105330	Chip, 33pF
CZ802	24105330	Chip, 33pF
CZ804	24105330	Chip, 33pF
CZ805	24105330	Chip, 33pF
CZ806	24105330	Chip, 33pF
CZ809	24105330	Chip, 33pF
CZ810	24105330	Chip, 33pF
CZ811	24105330	Chip, 33pF
CZ812	24105330	Chip, 33pF

RESISTORS

R101	24383183	OMF, 18k ohm, 2W
R150	24366101	CF, 100 ohm
R151	24366562	CF, 5600 ohm
R152	24366103	CF, 10k ohm
R171	24011103	Chip, 10k ohm, 1/20W
R172	24011273	Chip, 27k ohm, 1/20W
R173	24011103	Chip, 10k ohm, 1/20W
R174	24011273	Chip, 27k ohm, 1/20W
R201	24011101	Chip, 100 ohm, 1/20W
R202	24011471	Chip, 470 ohm, 1/20W
R203	24000445	Chip Jumper, 1680 Type
R204	24000445	Chip Jumper, 1680 Type
R205	24011101	Chip, 100 ohm, 1/20W
R206	24011102	Chip, 1k ohm, 1/20W
R207	24011101	Chip, 100 ohm, 1/20W

Location No.	Part No.	Description
R208	24011102	Chip, 1k ohm, 1/20W
R209	24011102	Chip, 1k ohm, 1/20W
R210	24011102	Chip, 1k ohm, 1/20W
R212	24011103	Chip, 10k ohm, 1/20W
R213	24011123	Chip, 12k ohm, 1/20W
R214	24011222	Chip, 2200 ohm, 1/20W
R215	24011101	Chip, 100 ohm, 1/20W
R241	24367153	CF, 15k ohm, ±2%
R242	24367333	CF, 33k ohm, ±2%
R243	24367223	CF, 22k ohm, ±2%
R244	24367223	CF, 22k ohm, ±2%
R245	24366124	CF, 120k ohm
R247	24366474	CF, 470k ohm
R249	24366472	CF, 4700 ohm
R250	24366472	CF, 4700 ohm
R301	24011472	Chip, 4700 ohm, 1/20W
R302	24011102	Chip, 1k ohm, 1/20W
R303	24011102	Chip, 1k ohm, 1/20W
R304	24011102	Chip, 1k ohm, 1/20W
R305	24321129	MF, 1.2 ohm, 1/2W
R306	24382151	OMF, 150 ohm, 1W
R307	24322828	MF, 0.82 ohm, 1W
R308	24382391	OMF, 390 ohm, 1W
R309	24011471	Chip, 470 ohm, 1/20W
R310	24011472	Chip, 4700 ohm, 1/20W
R311	24011471	Chip, 470 ohm, 1/20W
R312	24011103	Chip, 10k ohm, 1/20W
R313	24011472	Chip, 4700 ohm, 1/20W
R314	24011101	Chip, 100 ohm, 1/20W
R314	24011103	Chip, 10k ohm, 1/20W
R315	24011474	Chip, 470k ohm, 1/20W
R316	24011103	Chip, 10k ohm, 1/20W
R317	24011472	Chip, 4700 ohm, 1/20W
R318	24011472	Chip, 4700 ohm, 1/20W
R319	24011472	Chip, 4700 ohm, 1/20W
R320	24011102	Chip, 1k ohm, 1/20W
R321	24366103	CF, 10k ohm
R322	24366101	CF, 100 ohm
R323	24366103	CF, 10k ohm
R324	24366183	CF, 18k ohm
R325	24366113	CF, 11k ohm
R326	24366471	CF, 470 ohm
R327	24366471	CF, 470 ohm
R328	24366562	CF, 5600 ohm
R329	24366103	CF, 10k ohm
R331	24366473	CF, 47k ohm
R332	24366821	CF, 820 ohm
R333	24366102	CF, 1k ohm
R334	24366153	CF, 15k ohm
R335	24000245	MF, 33k ohm, 1/4W
R336	24000368	MF, 2700 ohm, 1/4W
R337	24000203	FR, 27k ohm, 1/4W
R338	24366103	CF, 10k ohm
R339	24366472	CF, 4700 ohm
R341	24366472	CF, 4700 ohm
R342	24366103	CF, 10k ohm
R343	24366103	CF, 10k ohm
R344	24366123	CF, 12k ohm
R345	24366103	CF, 10k ohm
R346	24019119	MF, 30k ohm, 1/6W
R347	24019119	MF, 30k ohm, 1/6W
R348	24000525	MF, 4700 ohm, 1/4W
R349	24366103	CF, 10k ohm
R351	24366153	CF, 15k ohm

Location No.	Part No.	Description
R352	24366563	CF, 56k ohm
R353	24366824	CF, 820k ohm
R354	24366273	CF, 27k ohm
R355	24366822	CF, 8200 ohm
R356	24366102	CF, 1k ohm
R357	24366100	CF, 10 ohm
R358	24366103	CF, 10k ohm
R359	24366392	CF, 3900 ohm
R361	24011183	Chip, 18k ohm, 1/20W
R362	24366103	CF, 10k ohm
R363	24366103	CF, 10k ohm
R365	24366682	CF, 6800 ohm
R366	24366103	CF, 10k ohm
R367	24366103	CF, 10k ohm
R368	24366102	CF, 1k ohm
R369	24366103	CF, 10k ohm
R371	24366823	CF, 82k ohm
R372	24366332	CF, 3300 ohm
R373	24366823	CF, 82k ohm
R374	24366104	CF, 100k ohm
R375	24366153	CF, 15k ohm
R376	24366333	CF, 33k ohm
R377	24366103	CF, 10k ohm
R378	24366682	CF, 6800 ohm
R379	24366103	CF, 10k ohm
R381	24366102	CF, 1k ohm
R382	24366103	CF, 10k ohm
R383	24366222	CF, 2200 ohm
R384	24019090	MF, 300k ohm, 1/4W
R385	24000633	MF, 10k ohm, 1/4W
R386	24000639	MF, 22k ohm, 1/4W
△R388	24000141	MF, 220 ohm, 1/4W
R401	24011361	Chip, 360 ohm, 1/20W
R402	24011103	Chip, 10k ohm, 1/20W
R403	24011272	Chip, 2700 ohm, 1/20W
R403	24553101	OMF, 100 ohm, 1W
R404	24383101	OMF, 100 ohm, 2W
R406	24382222	OMF, 2200 ohm, 1W
R407	24381100	OMF, 10 ohm, 1/2W
R408	24366101	CF, 100 ohm
R409	24011102	Chip, 1k ohm, 1/20W
R409	24555220	OMF, 22 ohm, 3W
R410	24555220	OMF, 22 ohm, 3W
R411	24323479	MF, 4.7 ohm, 2W
R412	24366101	CF, 100 ohm
R413	24011182	Chip, 1800 ohm, 1/20W
R413	24366272	CF, 2700 ohm
R414	24366101	CF, 100 ohm
R415	24533331	FR, 330 ohm, 2W
R417	24366101	CF, 100 ohm
R418	24366472	CF, 4700 ohm
R419	24942102	CC, 1k ohm, 1/2W
R420	24382473	OMF, 47k ohm, 1W
R421	24377224	CF, 220k ohm, 1W
R422	24376104	CF, 100k ohm, 1/2W
R423	24376104	CF, 100k ohm, 1/2W
R424	24322398	MF, 0.39 ohm, 1W
R425	24366101	CF, 100 ohm
R427	24942102	CC, 1k ohm, 1/2W
R428	24310109	MF, 1.0 ohm, 1/2W
R430	24383153	OMF, 15k ohm, 2W
R431	24383102	OMF, 1k ohm, 2W
R432	24376274	CF, 270k ohm, 1/2W
R433	24376274	CF, 270k ohm, 1/2W

Location No.	Part No.	Description
R434	24376274	CF, 270k ohm, 1/2W
R435	24366101	CF, 100 ohm
R436	24382561	OMF, 560 ohm, 1W
R437	24382561	OMF, 560 ohm, 1W
R438	24382561	OMF, 560 ohm, 1W
R439	24366103	CF, 10k ohm
R440	24366103	CF, 10k ohm
R441	24366474	CF, 470k ohm
R442	24366103	CF, 10k ohm
R443	24366562	CF, 5600 ohm
R444	24366562	CF, 5600 ohm
R445	24366472	CF, 4700 ohm
R446	24366103	CF, 10k ohm
R447	24366152	CF, 1500 ohm
R448	24366333	CF, 33k ohm
R449	24366223	CF, 22k ohm
R451	24366103	CF, 10k ohm
R452	24366103	CF, 10k ohm
R453	24366472	CF, 4700 ohm
R454	24366562	CF, 5600 ohm
R455	24019259	FR, 27ohm, 1/4W
R456	24366224	CF, 220k ohm
R457	24366223	CF, 22k ohm
R459	24366392	CF, 3900 ohm
R461	24366103	CF, 10k ohm
R462	24366222	CF, 2200 ohm
R463	24366103	CF, 10k ohm
R464	24366332	CF, 3300 ohm
R465	24366474	CF, 470k ohm
R466	24552331	OMF, 330 ohm, 1/2W
R467	24366472	CF, 4700 ohm
R481	24322568	MF, 0.56 ohm, 1W
R482	24552271	OMF, 270 ohm, 1/2W
R483	24552151	OMF, 150 ohm, 1/2W
R484	24366102	CF, 1k ohm
R485	24000141	MF, 220 ohm, 1/4W
△ R486	24000360	MF, 1200ohm, 1/4W
△ R487	24000147	MF, 470 ohm, 1/4W
R488	24366103	CF, 10k ohm
R489	24366100	CF, 10 ohm
R501	24011303	Chip, 30k ohm, 1/20W
R503	24011103	Chip, 10k ohm, 1/20W
R505	24011152	Chip, 1500 ohm, 1/20W
R506	24011272	Chip, 2700 ohm, 1/20W
R508	24011102	Chip, 1k ohm, 1/20W
R509	24011102	Chip, 1k ohm, 1/20W
R510	24011471	Chip, 470 ohm, 1/20W
R511	24011103	Chip, 10k ohm, 1/20W
R512	24011103	Chip, 10k ohm, 1/20W
R520	24011101	Chip, 100 ohm, 1/20W
R521	24011101	Chip, 100 ohm, 1/20W
R522	24011102	Chip, 1k ohm, 1/20W
R523	24011101	Chip, 100 ohm, 1/20W
R524	24011102	Chip, 1k ohm, 1/20W
R525	24011101	Chip, 100 ohm, 1/20W
R526	24011102	Chip, 1k ohm, 1/20W
R527	24011101	Chip, 100 ohm, 1/20W
R530	24011103	Chip, 10k ohm, 1/20W
R531	24011103	Chip, 10k ohm, 1/20W
R532	24011103	Chip, 10k ohm, 1/20W
R533	24552471	OMF, 470 ohm, 1/2W
R534	24552471	OMF, 470 ohm, 1/2W
R535	24552471	OMF, 470 ohm, 1/2W
R536	24011272	Chip, 2700 ohm, 1/20W

Location No.	Part No.	Description
R537	24011472	Chip, 4700 ohm, 1/20W
R538	24011103	Chip, 10k ohm, 1/20W
R539	24552221	OMF, 220 ohm, 1/2W
R540	24011103	Chip, 10k ohm, 1/20W
R562	24011101	Chip, 100 ohm, 1/20W
R563	24366560	CF, 56 ohm
R564	24366560	CF, 56 ohm
R565	24366560	CF, 56 ohm
R601	24011332	Chip, 3300 ohm, 1/20W
R602	24011332	Chip, 3300 ohm, 1/20W
R603	24011122	Chip, 1200 ohm, 1/20W
R604	24011122	Chip, 1200 ohm, 1/20W
R609	24366229	CF, 2.2 ohm
R610	24366229	CF, 2.2 ohm
R611	24011392	Chip, 3900 ohm, 1/20W
R612	24011392	Chip, 3900 ohm, 1/20W
R613	24011222	Chip, 2200 ohm, 1/20W
R661	24011101	Chip, 100 ohm, 1/20W
R662	24011332	Chip, 3300 ohm, 1/20W
R663	24011472	Chip, 4700 ohm, 1/20W
R665	24011223	Chip, 22k ohm, 1/20W
R666	24011473	Chip, 47k ohm, 1/20W
R667	24011223	Chip, 22k ohm, 1/20W
R668	24011473	Chip, 47k ohm, 1/20W
R669	24011222	Chip, 2200 ohm, 1/20W
R671	24011101	Chip, 100 ohm, 1/20W
R672	24011332	Chip, 3300 ohm, 1/20W
R673	24011472	Chip, 4700 ohm, 1/20W
R674	24011103	Chip, 10k ohm, 1/20W
R682	24011473	Chip, 47k ohm, 1/20W
R683	24011223	Chip, 22k ohm, 1/20W
R684	24011223	Chip, 22k ohm, 1/20W
R687	24011103	Chip, 10k ohm, 1/20W
R689	24011222	Chip, 2200 ohm, 1/20W
R690	24011102	Chip, 1k ohm, 1/20W
R691	24011103	Chip, 10k ohm, 1/20W
R692	24011103	Chip, 10k ohm, 1/20W
R693	24011102	Chip, 1k ohm, 1/20W
R695	24011103	Chip, 10k ohm, 1/20W
R702	24552221	OMF, 220 ohm, 1/2W
R709	24366563	CF, 56k ohm
R713	24366273	CF, 27k ohm
R715	24366333	CF, 33k ohm
R716	24366273	CF, 27k ohm
R717	24366333	CF, 33k ohm
R718	24366101	CF, 100 ohm
R719	24366100	CF, 10 ohm
R720	24552331	OMF, 330 ohm, 1/2W
R722	24552471	OMF, 470 ohm, 1/2W
R723	24366101	CF, 100 ohm
R724	24366151	CF, 150 ohm
R725	24366332	CF, 3300 ohm
R730	24552100	OMF, 10 ohm, 1/2W
R731	24552331	OMF, 330 ohm, 1/2W
R732	24366470	CF, 47 ohm
R733	24366683	CF, 68k ohm
R734	24366470	CF, 47 ohm
R735	24366683	CF, 68k ohm
R736	24553330	OMF, 33 ohm, 1W
R737	24366751	CF, 750 ohm
R738	24366102	CF, 1k ohm
R739	24366751	CF, 750 ohm
R740	24553330	OMF, 33 ohm, 1W
R741	24322229	MF, 2.2 ohm, 1W

Location No.	Part No.	Description
R742	24321229	MF, 2.2 ohm, 1/2W
R743	24554221	OMF, 220 ohm, 2W
R744	24366122	CF, 1200 ohm
R745	24366122	CF, 1200 ohm
R761	24366273	CF, 27k ohm
R762	24366563	CF, 56k ohm
R763	24552331	OMF, 330 ohm, 1/2W
R764	24366470	CF, 47 ohm
R765	24552100	OMF, 10 ohm, 1/2W
R766	24366470	CF, 47 ohm
R767	24552221	OMF, 220 ohm, 1/2W
R768	24366751	CF, 750 ohm
R769	24366122	CF, 1200 ohm
R770	24553330	OMF, 33 ohm, 1W
R771	24322229	MF, 2.2 ohm, 1W
R772	24366683	CF, 68k ohm
R773	24366683	CF, 68k ohm
R774	24366751	CF, 750 ohm
R775	24366122	CF, 1200 ohm
R776	24553330	OMF, 33 ohm, 1W
R777	24321229	MF, 2.2 ohm, 1/2W
R778	24366102	CF, 1k ohm
R779	24554221	OMF, 220 ohm, 2W
R781	24366273	CF, 27k ohm
R782	24366563	CF, 56k ohm
R783	24552221	OMF, 220 ohm, 1/2W
R784	24552100	OMF, 10 ohm, 1/2W
R785	24366470	CF, 47 ohm
R786	24366751	CF, 750 ohm
R787	24366122	CF, 1200 ohm
R788	24366683	CF, 68k ohm
R789	24366683	CF, 68k ohm
R790	24366751	CF, 750 ohm
R791	24366122	CF, 1200 ohm
R792	24366102	CF, 1k ohm
R793	24321229	MF, 2.2 ohm, 1/2W
R794	24553330	OMF, 33 ohm, 1W
R795	24322229	MF, 2.2 ohm, 1W
R796	24554221	OMF, 220 ohm, 2W
R797	24366470	CF, 47 ohm
R798	24552331	OMF, 330 ohm, 1/2W
R799	24553330	OMF, 33 ohm, 1W
R810	24007513	Cement, 0.62 ohm, ±10%, 15W
R811	24007513	Cement, 0.62 ohm, ±10%, 15W
R818	24366102	CF, 1k ohm
R819	24366103	CF, 10k ohm
R856	24366152	CF, 1500 ohm
R857	24552682	OMF, 6800 ohm, 1/2W
R858	24366102	CF, 1k ohm
R859	24382333	OMF, 33k ohm, 1W
R861	24383473	OMF, 47k ohm, 2W
R862	24321689	MF, 6.8 ohm, 1/2W
R863	24366101	CF, 100 ohm
R864	24552102	OMF, 1k ohm, 1/2W
R865	24552390	OMF, 39 ohm, 1/2W
R866	24366393	CF, 39k ohm
R867	24366102	CF, 1k ohm
R868	24552470	OMF, 47 ohm, 1/2W
R869	24366100	CF, 10 ohm
R870	24381151	OMF, 150 ohm, 1/2W
R871	24382680	OMF, 68 ohm, 1W
R872	24377224	CF, 220k ohm, 1W

Location No.	Part No.	Description
R873	24366479	CF, 4.7 ohm
R898	24002000	CC, 3.9M ohm, ±10%, 1/2W
R900	24000892	FR, 1.2 ohm, 1W
R901	24366101	CF, 100 ohm
R902	24366331	CF, 330 ohm
R903	24942102	CC, 1k ohm, 1/2W
R904	24366222	CF, 2200 ohm
R905	24366330	CF, 33 ohm
R906	24366331	CF, 330 ohm
R908	24366150	CF, 15 ohm
R909	24366330	CF, 33 ohm
R910	24322478	MF, 0.47 ohm, 1W
R911	24366101	CF, 100 ohm
R913	24942102	CC, 1k ohm, 1/2W
R914	24366222	CF, 2200 ohm
R915	24366270	CF, 27 ohm
R916	24366331	CF, 330 ohm
R917	24366331	CF, 330 ohm
R918	24366100	CF, 10 ohm
R919	24366270	CF, 27 ohm
R920	24366562	CF, 5600 ohm
R921	24366101	CF, 100 ohm
R922	24366331	CF, 330 ohm
R923	24942102	CC, 1k ohm, 1/2W
R924	24366222	CF, 2200 ohm
R925	24366390	CF, 39 ohm
R926	24366331	CF, 330 ohm
R927	24366100	CF, 10 ohm
R928	24366100	CF, 10 ohm
R929	24366330	CF, 33 ohm
R930	24366153	CF, 15k ohm
R931	24554153	OMF, 15k ohm, 2W
R932	24554153	OMF, 15k ohm, 2W
R935	24366820	CF, 82 ohm
R936	24554153	OMF, 15k ohm, 2W
R937	24554153	OMF, 15k ohm, 2W
R938	24366150	CF, 15 ohm
R941	24554153	OMF, 15k ohm, 2W
R942	24554153	OMF, 15k ohm, 2W
R943	24554153	OMF, 15k ohm, 2W
R944	24554153	OMF, 15k ohm, 2W
R945	24366150	CF, 15 ohm
R948	24366562	CF, 5600 ohm
R949	24366153	CF, 15k ohm
R951	24554153	OMF, 15k ohm, 2W
R952	24554153	OMF, 15k ohm, 2W
R953	24554153	OMF, 15k ohm, 2W
R954	24554153	OMF, 15k ohm, 2W
R956	24366101	CF, 100 ohm
R959	24366150	CF, 15 ohm
R961	24366152	CF, 1500 ohm
R962	24366102	CF, 1k ohm
R963	24366100	CF, 10 ohm
R964	24366332	CF, 3300 ohm
R965	24366471	CF, 470 ohm
R966	24366331	CF, 330 ohm
R967	24366681	CF, 680 ohm
R968	24366470	CF, 47 ohm
R969	24366683	CF, 68k ohm
R970	24366393	CF, 39k ohm
R971	24367821	CF, 820 ohm, ±2%
R972	24367471	CF, 470 ohm, ±2%
R973	24367681	CF, 680 ohm, ±2%
R974	24367681	CF, 680 ohm, ±2%

Location No.	Part No.	Description
R975	24366561	CF, 560 ohm
R976	24367472	CF, 4700 ohm, $\pm 2\%$
R977	24367512	CF, 5100 ohm, $\pm 2\%$
R978	24367391	CF, 390 ohm, $\pm 2\%$
R983	24366681	CF, 680 ohm
R984	24366821	CF, 820 ohm
R985	24366821	CF, 820 ohm
R986	24366821	CF, 820 ohm
R987	24366470	CF, 47 ohm
R991	24366562	CF, 5600 ohm
R992	24366153	CF, 15k ohm
R995	24366100	CF, 10 ohm
R2108	24011101	Chip, 100 ohm, 1/20W
R2109	24011102	Chip, 1k ohm, 1/20W
R4005	24366102	CF, 1k ohm
R4010	24366102	CF, 1k ohm
R4011	24366223	CF, 22k ohm
R4012	24366223	CF, 22k ohm
R4013	24366103	CF, 10k ohm
R4014	24366222	CF, 2200 ohm
R4015	24000633	MF, 10k ohm, 1/4W
R4016	24366105	CF, 1M ohm
R4017	24000639	MF, 22k ohm, 1/4W
R4018	24000203	FR, 27k ohm, 1/4W
R4020	24000370	MF, 3300 ohm, 1/4W
R4021	24000637	MF, 15k ohm, 1/4W
R4022	24000368	MF, 2700 ohm, 1/4W
R4023	24366472	CF, 4700 ohm
R4024	24000203	FR, 27k ohm, 1/4W
R4025	24000364	MF, 1800 ohm, 1/4W
R4026	24383470	OMF, 47 ohm, 2W
R4030	24366102	CF, 1k ohm
R4031	24366562	CF, 5600 ohm
R4032	24000639	MF, 22k ohm, 1/4W
R4033	24000147	MF, 470 ohm, 1/4W
R4034	24066864	VR, 5k ohm, 0.3W
R4035	24000372	MF, 3900 ohm, 1/4W
R4036	24366102	CF, 1k ohm
R4402	24011105	Chip, 1M ohm, 1/20W
R4502	24011472	Chip, 4700 ohm, 1/20W
R4503	24011102	Chip, 1k ohm, 1/20W
R4504	24011102	Chip, 1k ohm, 1/20W
R4505	24011223	Chip, 22k ohm, 1/20W
R4506	24011103	Chip, 10k ohm, 1/20W
R4507	24011103	Chip, 10k ohm, 1/20W
R4508	24011102	Chip, 1k ohm, 1/20W
R4509	24011561	Chip, 560 ohm, 1/20W
R4510	24000824	Chip, Jumper, 2125 type
R4512	24011103	Chip, 10k ohm, 1/20W
R4513	24011222	Chip, 2200 ohm, 1/20W
R4514	24000824	Chip, Jumper, 2125 type
R4515	24011682	Chip, 6800 ohm, 1/20W
R4516	24011102	Chip, 1k ohm, 1/20W
R4517	24011101	Chip, 100 ohm, 1/20W
R4521	24011102	Chip, 1k ohm, 1/20W
R4522	24011102	Chip, 1k ohm, 1/20W
R4523	24011102	Chip, 1k ohm, 1/20W
R4524	24011103	Chip, 10k ohm, 1/20W
R4525	24011103	Chip, 10k ohm, 1/20W
R4527	24011102	Chip, 1k ohm, 1/20W
R4528	24011102	Chip, 1k ohm, 1/20W
R4531	24011103	Chip, 10k ohm, 1/20W
R4532	24011682	Chip, 6800 ohm, 1/20W
R4533	24011331	Chip, 330 ohm, 1/20W

Location No.	Part No.	Description
R4534	24011471	Chip, 470 ohm, 1/20W
R4535	24011471	Chip, 470 ohm, 1/20W
R4536	24011472	Chip, 4700 ohm, 1/20W
R4538	24011222	Chip, 2200 ohm, 1/20W
R4539	24011472	Chip, 4700 ohm, 1/20W
R4541	24011471	Chip, 470 ohm, 1/20W
R4542	24011330	Chip, 33 ohm, 1/20W
R4545	24011101	Chip, 100 ohm, 1/20W
R4546	24011101	Chip, 100 ohm, 1/20W
R4551	24011101	Chip, 100 ohm, 1/20W
R4552	24011101	Chip, 100 ohm, 1/20W
R4553	24011101	Chip, 100 ohm, 1/20W
R5001	24011331	Chip, 330 ohm, 1/20W
R5002	24011471	Chip, 470 ohm, 1/20W
R5003	24011222	Chip, 2200 ohm, 1/20W
R5005	24011182	Chip, 1800 ohm, 1/20W
R5006	24011272	Chip, 2700 ohm, 1/20W
R5007	24011222	Chip, 2200 ohm, 1/20W
R5013	24011222	Chip, 2200 ohm, 1/20W
R5014	24011132	Chip, 1300 ohm, 1/20W
R5015	24011332	Chip, 3300 ohm, 1/20W
R5016	24011392	Chip, 3900 ohm, 1/20W
R5023	24011222	Chip, 2200 ohm, 1/20W
R5024	24011132	Chip, 1300 ohm, 1/20W
R5025	24011272	Chip, 2700 ohm, 1/20W
R5026	24011392	Chip, 3900 ohm, 1/20W
R5030	24011103	Chip, 10k ohm, 1/20W
R5031	24011101	Chip, 100 ohm, 1/20W
R5040	24011102	Chip, 1k ohm, 1/20W
R5041	24011472	Chip, 4700 ohm, 1/20W
R7707	24011472	Chip, 4700 ohm, 1/20W
R7708	24011472	Chip, 4700 ohm, 1/20W
R7710	24383221	OMF, 220 ohm, 2W
R7711	24547189	FR, 1.8 ohm, 1W
R7712	24011472	Chip, 4700 ohm, 1/20W
R7713	24011472	Chip, 4700 ohm, 1/20W
R7715	24383221	OMF, 220 ohm, 2W
R7716	24547189	FR, 1.8 ohm, 1W
R7717	24011472	Chip, 4700 ohm, 1/20W
R7718	24011472	Chip, 4700 ohm, 1/20W
R7720	24383221	OMF, 220 ohm, 2W
R7721	24547189	FR, 1.8 ohm, 1W
R7722	24011472	Chip, 4700 ohm, 1/20W
R7723	24011472	Chip, 4700 ohm, 1/20W
R7725	24383221	OMF, 220 ohm, 2W
R7726	24547189	FR, 1.8 ohm, 1W
R7727	24011472	Chip, 4700 ohm, 1/20W
R7728	24011472	Chip, 4700 ohm, 1/20W
R7730	24383221	OMF, 220 ohm, 2W
R7731	24547189	FR, 1.8 ohm, 1W
R7732	24011472	Chip, 4700 ohm, 1/20W
R7733	24011472	Chip, 4700 ohm, 1/20W
R7735	24383221	OMF, 220 ohm, 2W
R7736	24547189	FR, 1.8 ohm, 1W
R7760	24011103	Chip, 10k ohm, 1/20W
R7761	24011333	Chip, 33k ohm, 1/20W
R7762	24011103	Chip, 10k ohm, 1/20W
R7766	24011223	Chip, 22k ohm, 1/20W
R7767	24011153	Chip, 15k ohm, 1/20W
R7775	24011333	Chip, 33k ohm, 1/20W
R7776	24011472	Chip, 4700 ohm, 1/20W
R7777	24011333	Chip, 33k ohm, 1/20W
R7778	24011472	Chip, 4700 ohm, 1/20W
R7779	24011102	Chip, 1k ohm, 1/20W

Location No.	Part No.	Description
R7780	24011102	Chip, 1k ohm, 1/20W
R7781	24011333	Chip, 33k ohm, 1/20W
R7793	24011123	Chip, 12k ohm, 1/20W
R7797	24011472	Chip, 4700 ohm, 1/20W
R7799	24011222	Chip, 2200 ohm, 1/20W
R7836	24011472	Chip, 4700 ohm, 1/20W
R7837	24011221	Chip, 220 ohm, 1/20W
R7841	24011221	Chip, 220 ohm, 1/20W
R7842	24011103	Chip, 10k ohm, 1/20W
R7843	24011472	Chip, 4700 ohm, 1/20W
R7844	24011103	Chip, 10k ohm, 1/20W
R7845	24011472	Chip, 4700 ohm, 1/20W
R7846	24011103	Chip, 10k ohm, 1/20W
R7847	24011103	Chip, 10k ohm, 1/20W
R7848	24011472	Chip, 4700 ohm, 1/20W
R7849	24011101	Chip, 100 ohm, 1/20W
R7861	24011472	Chip, 4700 ohm, 1/20W
R7862	24011472	Chip, 4700 ohm, 1/20W
R7864	24011221	Chip, 220 ohm, 1/20W
R7865	24011102	Chip, 1k ohm, 1/20W
R7866	24011102	Chip, 1k ohm, 1/20W
R7867	24011102	Chip, 1k ohm, 1/20W
R7868	24011822	Chip, 8200 ohm, 1/20W
R7871	24000358	MF, 1k ohm, 1/4W
R7872	24011103	Chip, 10k ohm, 1/20W
R7880	24011221	Chip, 220 ohm, 1/20W
R7881	24011472	Chip, 4700 ohm, 1/20W
R7882	24011103	Chip, 10k ohm, 1/20W
R7883	24011103	Chip, 10k ohm, 1/20W
R7884	24011103	Chip, 10k ohm, 1/20W
R7885	24011103	Chip, 10k ohm, 1/20W
R7886	24011224	Chip, 220k ohm, 1/20W
R7887	24011562	Chip, 5600 ohm, 1/20W
R7888	24011183	Chip, 18k ohm, 1/20W
R7889	24011183	Chip, 18k ohm, 1/20W
R7890	24011471	Chip, 470 ohm, 1/20W
R7891	24011471	Chip, 470 ohm, 1/20W
R7892	24383330	OMF, 33 ohm, 2W
R7893	24011101	Chip, 100 ohm, 1/20W
R7894	24011472	Chip, 4700 ohm, 1/20W
R7895	24011103	Chip, 10k ohm, 1/20W
R7896	24011221	Chip, 220 ohm, 1/20W
R7897	24011103	Chip, 10k ohm, 1/20W
R7898	24011472	Chip, 4700 ohm, 1/20W
R7899	24011221	Chip, 220 ohm, 1/20W
R7904	24000247	MF, 39k ohm, 1/4W
R7906	24011472	Chip, 4700 ohm, 1/20W
R7907	24011223	Chip, 22k ohm, 1/20W
R7908	24011473	Chip, 47k ohm, 1/20W
R7909	24011562	Chip, 5600 ohm, 1/20W
R7910	24011222	Chip, 2200 ohm, 1/20W
R7911	24011221	Chip, 220 ohm, 1/20W
R7912	24011221	Chip, 220 ohm, 1/20W
R7913	24011221	Chip, 220 ohm, 1/20W
R7914	24381182	OMF, 1800 ohm, 1/2W
R9501	24366470	CF, 47 ohm
R9502	24366470	CF, 47 ohm
R9503	24366681	CF, 680 ohm
R9504	24366683	CF, 68k ohm
R9505	24366393	CF, 39k ohm
R9506	24366681	CF, 680 ohm
R9507	24366220	CF, 22 ohm
R9601	24366121	CF, 120 ohm
R9602	24366682	CF, 6800 ohm

Location No.	Part No.	Description
R9603	24366562	CF, 5600 ohm
R9604	24366272	CF, 2700 ohm
R9605	24366682	CF, 6800 ohm
R9606	24366272	CF, 2700 ohm
R9607	24366470	CF, 47 ohm
R9608	24366681	CF, 680 ohm
R9609	24366683	CF, 68k ohm
R9610	24366393	CF, 39k ohm
R9611	24366681	CF, 680 ohm
R9612	24366470	CF, 47 ohm
R9613	24366270	CF, 27 ohm
R9614	24366300	CF, 30 ohm
R9620	24366100	CF, 10 ohm
R9701	24366103	CF, 10k ohm
R9702	24366103	CF, 10k ohm
R9703	24366103	CF, 10k ohm
R9705	24366822	CF, 8200 ohm
R9706	24366682	CF, 6800 ohm
R9707	24366391	CF, 390 ohm
R9708	24366821	CF, 820 ohm
R9709	24366151	CF, 150 ohm
R9710	24366332	CF, 3300 ohm
R9711	24366272	CF, 2700 ohm
R9712	24366222	CF, 2200 ohm
R9713	24366102	CF, 1k ohm
R9714	24366102	CF, 1k ohm
R9715	24366102	CF, 1k ohm
RA01	24011102	Chip, 1k ohm, 1/20W
RA02	24011101	Chip, 100 ohm, 1/20W
RA03	24011101	Chip, 100 ohm, 1/20W
RA04	24011102	Chip, 1k ohm, 1/20W
RA05	24011102	Chip, 1k ohm, 1/20W
RA06	24011102	Chip, 1k ohm, 1/20W
RA07	24011102	Chip, 1k ohm, 1/20W
RA08	24011102	Chip, 1k ohm, 1/20W
RA09	24011102	Chip, 1k ohm, 1/20W
RA12	24011102	Chip, 1k ohm, 1/20W
RA13	24011102	Chip, 1k ohm, 1/20W
RA14	24011103	Chip, 10k ohm, 1/20W
RA15	24011102	Chip, 1k ohm, 1/20W
RA16	24011102	Chip, 1k ohm, 1/20W
RA17	24011102	Chip, 1k ohm, 1/20W
RA18	24011103	Chip, 10k ohm, 1/20W
RA21	24011102	Chip, 1k ohm, 1/20W
RA22	24011682	Chip, 6800 ohm, 1/20W
RA23	24011102	Chip, 1k ohm, 1/20W
RA26	24011333	Chip, 33k ohm, 1/20W
RA28	24011101	Chip, 100 ohm, 1/20W
RA30	24011101	Chip, 100 ohm, 1/20W
RA32	24011682	Chip, 6800 ohm, 1/20W
RA35	24011152	Chip, 1500 ohm, 1/20W
RA36	24011332	Chip, 3300 ohm, 1/20W
RA37	24011101	Chip, 100 ohm, 1/20W
RA38	24011101	Chip, 100 ohm, 1/20W
RA39	24011101	Chip, 100 ohm, 1/20W
RA40	24011101	Chip, 100 ohm, 1/20W
RA41	24011332	Chip, 3300 ohm, 1/20W
RA42	24011151	Chip, 150 ohm, 1/20W
RA43	24011102	Chip, 1k ohm, 1/20W
RA44	24011102	Chip, 1k ohm, 1/20W
RA45	24011102	Chip, 1k ohm, 1/20W
RA46	24011102	Chip, 1k ohm, 1/20W
RA49	24011102	Chip, 1k ohm, 1/20W
RA51	24011101	Chip, 100 ohm, 1/20W

Location No.	Part No.	Description
RA52	24011103	Chip, 10k ohm, 1/20W
RA54	24011332	Chip, 3300 ohm, 1/20W
RA55	24011102	Chip, 1k ohm, 1/20W
RA59	24011101	Chip, 100 ohm, 1/20W
RA60	24011101	Chip, 100 ohm, 1/20W
RA71	24366273	CF, 27k ohm
RA72	24011332	Chip, 3300 ohm, 1/20W
RA73	24011471	Chip, 470 ohm, 1/20W
RA74	24011153	Chip, 15k ohm, 1/20W
RA75	24011153	Chip, 15k ohm, 1/20W
RA76	24011103	Chip, 10k ohm, 1/20W
RA77	24011103	Chip, 10k ohm, 1/20W
RA78	24011333	Chip, 33k ohm, 1/20W
RA79	24011333	Chip, 33k ohm, 1/20W
RA80	24011101	Chip, 100 ohm, 1/20W
RA81	24011473	Chip, 47k ohm, 1/20W
RA021	24011101	Chip, 100 ohm, 1/20W
RA031	24011101	Chip, 100 ohm, 1/20W
RA141	24011103	Chip, 10k ohm, 1/20W
RA161	24011103	Chip, 10k ohm, 1/20W
RA181	24011103	Chip, 10k ohm, 1/20W
RA210	24011102	Chip, 1k ohm, 1/20W
RA211	24011102	Chip, 1k ohm, 1/20W
RA212	24011102	Chip, 1k ohm, 1/20W
RA221	24366153	CF, 15k ohm
RA361	24011102	Chip, 1k ohm, 1/20W
RA401	24011471	Chip, 470 ohm, 1/20W
RA431	24011103	Chip, 10k ohm, 1/20W
RA703	24011102	Chip, 1k ohm, 1/20W
RA705	24011103	Chip, 10k ohm, 1/20W
RA708	24011101	Chip, 100 ohm, 1/20W
RB01	24366391	CF, 390 ohm
RB03	24011330	Chip, 33 ohm, 1/20W
RB04	24366473	CF, 47k ohm
RB05	24011102	Chip, 1k ohm, 1/20W
RB14	24011153	Chip, 15k ohm, 1/20W
RB15	24011153	Chip, 15k ohm, 1/20W
RB16	24011471	Chip, 470 ohm, 1/20W
RB17	24011332	Chip, 3300 ohm, 1/20W
RB19	24366470	CF, 47 ohm
RB41	24366123	CF, 12k ohm
RB42	24366153	CF, 15k ohm
RB61	24011222	Chip, 2200 ohm, 1/20W
RB62	24011103	Chip, 10k ohm, 1/20W
RB64	24011332	Chip, 3300 ohm, 1/20W
RB65	24011392	Chip, 3900 ohm, 1/20W
RB81	24011122	Chip, 1200 ohm, 1/20W
RB82	24011123	Chip, 12k ohm, 1/20W
RB83	24011123	Chip, 12k ohm, 1/20W
RB84	24011562	Chip, 5600 ohm, 1/20W
RB90	24011392	Chip, 3900 ohm, 1/20W
RB91	24011473	Chip, 47k ohm, 1/20W
RB92	24011271	Chip, 270 ohm, 1/20W
RB93	24011271	Chip, 270 ohm, 1/20W
RB94	24011222	Chip, 2200 ohm, 1/20W
RB95	24011222	Chip, 2200 ohm, 1/20W
RB96	24011273	Chip, 27k ohm, 1/20W
RB97	24011273	Chip, 27k ohm, 1/20W
RB98	24011102	Chip, 1k ohm, 1/20W
RB031	24011330	Chip, 33 ohm, 1/20W
RB032	24011330	Chip, 33 ohm, 1/20W
RB033	24011103	Chip, 10k ohm, 1/20W
RB051	24011102	Chip, 1k ohm, 1/20W
RB052	24011332	Chip, 3300 ohm, 1/20W

Location No.	Part No.	Description
RB512	24011100	Chip, 10 ohm, 1/20W
RB551	24011102	Chip, 1k ohm, 1/20W
RB552	24011102	Chip, 1k ohm, 1/20W
RB553	24011332	Chip, 3300 ohm, 1/20W
RD02	24366101	CF, 100 ohm
RD03	24366105	CF, 1M ohm
RD04	24366221	CF, 220 ohm
RD05	24366101	CF, 100 ohm
RD07	24366101	CF, 100 ohm
RD41	24366102	CF, 1k ohm
RD42	24366432	CF, 4300 ohm
RD43	24366114	CF, 110k ohm
RD44	24366132	CF, 1300 ohm
RD45	24366473	CF, 47k ohm
RD46	24366513	CF, 51k ohm
RD47	24366392	CF, 3900 ohm
RD61	24366103	CF, 10k ohm
RD63	24366101	CF, 100 ohm
RD64	24366101	CF, 100 ohm
RD65	24366122	CF, 1200 ohm
RD66	24366821	CF, 820 ohm
RD67	24366152	CF, 1500 ohm
RD68	24366681	CF, 680 ohm
RD71	24366223	CF, 22k ohm
RD72	24366223	CF, 22k ohm
RD106	24366101	CF, 100 ohm
RD108	24366101	CF, 100 ohm
RD110	24366223	CF, 22k ohm
RD111	24366223	CF, 22k ohm
RD113	24366101	CF, 100 ohm
RD114	24366221	CF, 220 ohm
RD115	24366101	CF, 100 ohm
RD116	24366101	CF, 100 ohm
RD117	24366101	CF, 100 ohm
RD120	24366101	CF, 100 ohm
RH002	24011473	Chip, 47k ohm, 1/20W
RH003	24011473	Chip, 47k ohm, 1/20W
RH004	24011221	Chip, 220 ohm, 1/20W
RH005	24011221	Chip, 220 ohm, 1/20W
RH006	24011221	Chip, 220 ohm, 1/20W
RH007	24011221	Chip, 220 ohm, 1/20W
RH008	24011221	Chip, 220 ohm, 1/20W
RH009	24011333	Chip, 33k ohm, 1/20W
RH041	24011101	Chip, 100 ohm, 1/20W
RH042	24011101	Chip, 100 ohm, 1/20W
RH043	24011101	Chip, 100 ohm, 1/20W
RH044	24011101	Chip, 100 ohm, 1/20W
RH051	24011222	Chip, 2200 ohm, 1/20W
RH061	24011561	Chip, 560 ohm, 1/20W
RH062	24011102	Chip, 1k ohm, 1/20W
RH063	24011103	Chip, 10k ohm, 1/20W
RH064	24011103	Chip, 10k ohm, 1/20W
RH170	24011122	Chip, 1200 ohm, 1/20W
RH171	24011122	Chip, 1200 ohm, 1/20W
RH172	24011122	Chip, 1200 ohm, 1/20W
RH173	24011122	Chip, 1200 ohm, 1/20W
RH174	24011122	Chip, 1200 ohm, 1/20W
RH175	24011122	Chip, 1200 ohm, 1/20W
RH176	24011122	Chip, 1200 ohm, 1/20W
RH177	24011122	Chip, 1200 ohm, 1/20W
RH178	24011122	Chip, 1200 ohm, 1/20W
RH179	24011122	Chip, 1200 ohm, 1/20W
RH180	24011122	Chip, 1200 ohm, 1/20W
RH181	24011122	Chip, 1200 ohm, 1/20W

Location No.	Part No.	Description
RH182	24011122	Chip, 1200 ohm, 1/20W
RH183	24011122	Chip, 1200 ohm, 1/20W
RH184	24011122	Chip, 1200 ohm, 1/20W
RH185	24011122	Chip, 1200 ohm, 1/20W
RH186	24011122	Chip, 1200 ohm, 1/20W
RH187	24011122	Chip, 1200 ohm, 1/20W
RH188	24011122	Chip, 1200 ohm, 1/20W
RH189	24011122	Chip, 1200 ohm, 1/20W
RH190	24011122	Chip, 1200 ohm, 1/20W
RH191	24011122	Chip, 1200 ohm, 1/20W
RH192	24011122	Chip, 1200 ohm, 1/20W
RH193	24011122	Chip, 1200 ohm, 1/20W
RH194	24011122	Chip, 1200 ohm, 1/20W
RH195	24011122	Chip, 1200 ohm, 1/20W
RH196	24011122	Chip, 1200 ohm, 1/20W
RH197	24011122	Chip, 1200 ohm, 1/20W
RH198	24011122	Chip, 1200 ohm, 1/20W
RH199	24011122	Chip, 1200 ohm, 1/20W
RH201	24011472	Chip, 4700 ohm, 1/20W
RH202	24011472	Chip, 4700 ohm, 1/20W
RH207	24011331	Chip, 330 ohm, 1/20W
RH208	24011221	Chip, 220 ohm, 1/20W
RH209	24011102	Chip, 1k ohm, 1/20W
RH210	24011102	Chip, 1k ohm, 1/20W
RH211	24011473	Chip, 47k ohm, 1/20W
RH212	24011473	Chip, 47k ohm, 1/20W
RH301	24011684	Chip, 680k ohm, 1/20W
RH302	24011102	Chip, 1k ohm, 1/20W
RH303	24011153	Chip, 15k ohm, 1/20W
RH304	24011153	Chip, 15k ohm, 1/20W
RH305	24011102	Chip, 1k ohm, 1/20W
RH306	24011684	Chip, 680k ohm, 1/20W
RH307	24011684	Chip, 680k ohm, 1/20W
RH308	24011102	Chip, 1k ohm, 1/20W
RH309	24011203	Chip, 20k ohm, 1/20W
RH310	24011203	Chip, 20k ohm, 1/20W
RH311	24011102	Chip, 1k ohm, 1/20W
RH312	24011684	Chip, 680k ohm, 1/20W
RH313	24011474	Chip, 470k ohm, 1/20W
RH314	24011474	Chip, 470k ohm, 1/20W
RH315	24011474	Chip, 470k ohm, 1/20W
RH316	24011474	Chip, 470k ohm, 1/20W
RH317	24011104	Chip, 100k ohm, 1/20W
RH318	24011102	Chip, 1k ohm, 1/20W
RH319	24011104	Chip, 100k ohm, 1/20W
RH320	24011102	Chip, 1k ohm, 1/20W
RH321	24011104	Chip, 100k ohm, 1/20W
RH322	24011102	Chip, 1k ohm, 1/20W
RH323	24011104	Chip, 100k ohm, 1/20W
RH324	24011102	Chip, 1k ohm, 1/20W
RH325	24011333	Chip, 33k ohm, 1/20W
RH326	24011333	Chip, 33k ohm, 1/20W
RH327	24011152	Chip, 1500 ohm, 1/20W
RH328	24011103	Chip, 10k ohm, 1/20W
RH329	24011152	Chip, 1500 ohm, 1/20W
RH330	24011103	Chip, 10k ohm, 1/20W
RH331	24011152	Chip, 1500 ohm, 1/20W
RH332	24011103	Chip, 10k ohm, 1/20W
RH333	24011152	Chip, 1500 ohm, 1/20W
RH334	24011103	Chip, 10k ohm, 1/20W
RH335	24011224	Chip, 220k ohm, 1/20W
RH336	24011224	Chip, 220k ohm, 1/20W
RH337	24011224	Chip, 220k ohm, 1/20W
RH338	24011224	Chip, 220k ohm, 1/20W

Location No.	Part No.	Description
RH339	24011101	Chip, 100 ohm, 1/20W
RH340	24011101	Chip, 100 ohm, 1/20W
RH341	24011101	Chip, 100 ohm, 1/20W
RH342	24011101	Chip, 100 ohm, 1/20W
RH343	24011102	Chip, 1k ohm, 1/20W
RH344	24011102	Chip, 1k ohm, 1/20W
RH345	24011102	Chip, 1k ohm, 1/20W
RH346	24011102	Chip, 1k ohm, 1/20W
RH347	24011104	Chip, 100k ohm, 1/20W
RH401	24011101	Chip, 100 ohm, 1/20W
RH402	24011101	Chip, 100 ohm, 1/20W
RH404	24011101	Chip, 100 ohm, 1/20W
RH405	24011102	Chip, 1k ohm, 1/20W
RH406	24011473	Chip, 47k ohm, 1/20W
RH407	24011101	Chip, 100 ohm, 1/20W
RH408	24011101	Chip, 100 ohm, 1/20W
RH412	24011103	Chip, 10k ohm, 1/20W
RH413	24011103	Chip, 10k ohm, 1/20W
RH414	24011101	Chip, 100 ohm, 1/20W
RH415	24011101	Chip, 100 ohm, 1/20W
RH416	24011101	Chip, 100 ohm, 1/20W
RH417	24011101	Chip, 100 ohm, 1/20W
RH420	24011332	Chip, 3300 ohm, 1/20W
RH421	24011681	Chip, 680 ohm, 1/20W
RH422	24011102	Chip, 1k ohm, 1/20W
RH425	24011331	Chip, 330 ohm, 1/20W
RH427	24011222	Chip, 2200 ohm, 1/20W
RH428	24011472	Chip, 4700 ohm, 1/20W
RH429	24011105	Chip, 1M ohm, 1/20W
RH430	24011472	Chip, 4700 ohm, 1/20W
RH431	24011101	Chip, 100 ohm, 1/20W
RR15	24011680	Chip, 68 ohm, 1/20W
RR16	24011680	Chip, 68 ohm, 1/20W
RR17	24011680	Chip, 68 ohm, 1/20W
RR52	24011102	Chip, 1k ohm, 1/20W
RR53	24011471	Chip, 470 ohm, 1/20W
RR54	24011102	Chip, 1k ohm, 1/20W
RR55	24011471	Chip, 470 ohm, 1/20W
RR56	24011102	Chip, 1k ohm, 1/20W
RR57	24011471	Chip, 470 ohm, 1/20W
RR61	24011222	Chip, 2200 ohm, 1/20W
RR62	24011222	Chip, 2200 ohm, 1/20W
RR63	24011222	Chip, 2200 ohm, 1/20W
RS02	24366472	CF, 4700 ohm
RS04	24366102	CF, 1k ohm
RS06	24366102	CF, 1k ohm
RS07	24366103	CF, 10k ohm
RS08	24366103	CF, 10k ohm
RS09	24366102	CF, 1k ohm
RS10	24366102	CF, 1k ohm
RS12	24366103	CF, 10k ohm
RS21	24366104	CF, 100k ohm
RS22	24366104	CF, 100k ohm
RS25	24366223	CF, 22k ohm
RS26	24366223	CF, 22k ohm
RS27	24366471	CF, 470 ohm
RS28	24366471	CF, 470 ohm
RS29	24366104	CF, 100k ohm
RS30	24366104	CF, 100k ohm
RS31	24366103	CF, 10k ohm
RS32	24366104	CF, 100k ohm
RS33	24366222	CF, 2200 ohm
RS34	24366222	CF, 2200 ohm
RS35	24366103	CF, 10k ohm

Location No.	Part No.	Description
RS36	24366103	CF, 10k ohm
RS37	24366101	CF, 100 ohm
RS40	24366101	CF, 100 ohm
RS42	24366101	CF, 100 ohm
RS48	24366101	CF, 100 ohm
RS49	24366103	CF, 10k ohm
RS51	24366103	CF, 10k ohm
RS52	24366103	CF, 10k ohm
RS53	24366103	CF, 10k ohm
RS54	24366103	CF, 10k ohm
RS120	24552821	OMF, 820 ohm, 1/2W
RS121	24011103	Chip, 10k ohm, 1/20W
RS122	24011103	Chip, 10k ohm, 1/20W
RS123	24011473	Chip, 47k ohm, 1/20W
RS124	24011103	Chip, 10k ohm, 1/20W
RS125	24011103	Chip, 10k ohm, 1/20W
RS651	24011101	Chip, 100 ohm, 1/20W
RS652	24011101	Chip, 100 ohm, 1/20W
RS659	24011103	Chip, 10k ohm, 1/20W
RS671	24000445	Chip Jumper, 1680 Type
RS672	24011273	Chip, 27k ohm, 1/20W
RS673	24000445	Chip Jumper, 1680 Type
RS674	24011273	Chip, 27k ohm, 1/20W
RS675	24011223	Chip, 22k ohm, 1/20W
RS676	24011101	Chip, 100 ohm, 1/20W
RS683	24011103	Chip, 10k ohm, 1/20W
RS685	24011103	Chip, 10k ohm, 1/20W
RV01	24366472	CF, 4700 ohm
RV03	24366101	CF, 100 ohm
RV04	24366101	CF, 100 ohm
RV11	24366100	CF, 10 ohm
RV12	24366100	CF, 10 ohm
RV13	24366100	CF, 10 ohm
RV15	24366222	CF, 2200 ohm
RV20	24366750	CF, 75 ohm
RV21	24366750	CF, 75 ohm
RV22	24366750	CF, 75 ohm
RV23	24366332	CF, 3300 ohm
RV24	24366750	CF, 75 ohm
RV25	24366750	CF, 75 ohm
RV26	24366750	CF, 75 ohm
RV31	24011222	Chip, 2200 ohm, 1/20W
RV31	24366332	CF, 3300 ohm
RV32	24011101	Chip, 100 ohm, 1/20W
RV32	24366750	CF, 75 ohm
RV38	24011184	Chip, 180k ohm, 1/20W
RV39	24011334	Chip, 330k ohm, 1/20W
RV50	24011472	Chip, 4700 ohm, 1/20W
RV51	24011101	Chip, 100 ohm, 1/20W
RV63	24366102	CF, 1k ohm
RV64	24366750	CF, 75 ohm
RV65	24366750	CF, 75 ohm
RV67	24366750	CF, 75 ohm
RV74	24366750	CF, 75 ohm
RV81	24366472	CF, 4700 ohm
RV83	24366332	CF, 3300 ohm
RV84	24366750	CF, 75 ohm
RV85	24552181	OMF, 180 ohm, 1/2W
RV89	24366680	CF, 68 ohm
RV93	24366101	CF, 100 ohm
RV97	24366221	CF, 220 ohm
RV117	24366750	CF, 75 ohm
RV118	24366750	CF, 75 ohm
RV119	24366750	CF, 75 ohm

Location No.	Part No.	Description
RV124	24366392	CF, 3900 ohm
RV125	24366123	CF, 12k ohm
RV126	24366274	CF, 270k ohm
RV127	24366331	CF, 330 ohm
RV128	24366472	CF, 4700 ohm
RV140	24366103	CF, 10k ohm
RV141	24366302	CF, 3k ohm
RV142	24366103	CF, 10k ohm
RV143	24366103	CF, 10k ohm
RV144	24366472	CF, 4700 ohm
RV169	24011102	Chip, 1k ohm, 1/20W
RV178	24011152	Chip, 1500 ohm, 1/20W
RV179	24011472	Chip, 4700 ohm, 1/20W
RV180	24011472	Chip, 4700 ohm, 1/20W
RV181	24011101	Chip, 100 ohm, 1/20W
RV182	24011101	Chip, 100 ohm, 1/20W
RV183	24011101	Chip, 100 ohm, 1/20W
RV184	24011182	Chip, 1800 ohm, 1/20W
RV185	24011182	Chip, 1800 ohm, 1/20W
RV186	24011182	Chip, 1800 ohm, 1/20W
RV510	24011102	Chip, 1k ohm, 1/20W
RV511	24011472	Chip, 4700 ohm, 1/20W
RV520	24011472	Chip, 4700 ohm, 1/20W
RV521	24011472	Chip, 4700 ohm, 1/20W
RV522	24011472	Chip, 4700 ohm, 1/20W
RV523	24011561	Chip, 560 ohm, 1/20W
RV524	24011272	Chip, 2700 ohm, 1/20W
RV525	24011101	Chip, 100 ohm, 1/20W
RV527	24011101	Chip, 100 ohm, 1/20W
RV529	24011331	Chip, 330 ohm, 1/20W
RV530	24011122	Chip, 1200 ohm, 1/20W
RV531	24011122	Chip, 1200 ohm, 1/20W
RV532	24011101	Chip, 100 ohm, 1/20W
RV533	24011101	Chip, 100 ohm, 1/20W
RV534	24011101	Chip, 100 ohm, 1/20W
RV544	24011103	Chip, 10k ohm, 1/20W
RV545	24011103	Chip, 10k ohm, 1/20W
RV546	24011103	Chip, 10k ohm, 1/20W
RV550	24011391	Chip, 390 ohm, 1/20W
RV551	24011332	Chip, 3300 ohm, 1/20W
RV552	24011272	Chip, 2700 ohm, 1/20W
RW10	24011102	Chip, 1k ohm, 1/20W
RW12	24011102	Chip, 1k ohm, 1/20W
RW30	24011102	Chip, 1k ohm, 1/20W
RW31	24011102	Chip, 1k ohm, 1/20W
RW32	24011102	Chip, 1k ohm, 1/20W
RW40	24366182	CF, 1800 ohm
RW45	24366103	CF, 10k ohm
RX11	24011221	Chip, 220 ohm, 1/20W
RX12	24011221	Chip, 220 ohm, 1/20W
RX103	24000445	Chip Jumper, 1680 Type
RX105	24011152	Chip, 1500 ohm, 1/20W
RX106	24011822	Chip, 8200 ohm, 1/20W
RX107	24011152	Chip, 1500 ohm, 1/20W
RX108	24011152	Chip, 1500 ohm, 1/20W
RX111	24011470	Chip, 47 ohm, 1/20W
RX112	24871681	Chip, 680 ohm, 1/8W
RX113	24011121	Chip, 120 ohm, 1/20W
RX114	24011471	Chip, 470 ohm, 1/20W
RX115	24011272	Chip, 2700 ohm, 1/20W
RX116	24011100	Chip, 10 ohm, 1/20W
RX117	24871331	Chip, 330 ohm, 1/8W
RX118	24000445	Chip Jumper, 1680 Type
RX119	24011471	Chip, 470 ohm, 1/20W

Location No.	Part No.	Description
RX121	24011470	Chip, 47 ohm, 1/20W
RX122	24871681	Chip, 680 ohm, 1/8W
RX123	24011121	Chip, 120 ohm, 1/20W
RX124	24011471	Chip, 470 ohm, 1/20W
RX126	24011470	Chip, 47 ohm, 1/20W
RX127	24871681	Chip, 680 ohm, 1/8W
RX128	24000445	Chip Jumper, 1680 Type
RX129	24011471	Chip, 470 ohm, 1/20W
RX131	24011470	Chip, 47 ohm, 1/20W
RX132	24871681	Chip, 680 ohm, 1/8W
RX133	24011121	Chip, 120 ohm, 1/20W
RX134	24011471	Chip, 470 ohm, 1/20W
RX136	24011470	Chip, 47 ohm, 1/20W
RX137	24871681	Chip, 680 ohm, 1/8W
RX138	24000445	Chip Jumper, 1680 Type
RX139	24011471	Chip, 470 ohm, 1/20W
RX141	24011470	Chip, 47 ohm, 1/20W
RX142	24871681	Chip, 680 ohm, 1/8W
RX143	24011121	Chip, 120 ohm, 1/20W
RX144	24011471	Chip, 470 ohm, 1/20W
RX145	24011272	Chip, 2700 ohm, 1/20W
RX147	24871331	Chip, 330 ohm, 1/8W
RX148	24000445	Chip Jumper, 1680 Type
RX149	24011471	Chip, 470 ohm, 1/20W
RX151	24011470	Chip, 47 ohm, 1/20W
RX152	24871681	Chip, 680 ohm, 1/8W
RX153	24011121	Chip, 120 ohm, 1/20W
RX154	24011471	Chip, 470 ohm, 1/20W
RX157	24871681	Chip, 680 ohm, 1/8W
RX158	24000445	Chip Jumper, 1680 Type
RX159	24011471	Chip, 470 ohm, 1/20W
RX161	24011470	Chip, 47 ohm, 1/20W
RX162	24871681	Chip, 680 ohm, 1/8W
RX163	24011121	Chip, 120 ohm, 1/20W
RX164	24011471	Chip, 470 ohm, 1/20W
RX167	24871681	Chip, 680 ohm, 1/8W
RX168	24000445	Chip Jumper, 1680 Type
RX169	24011471	Chip, 470 ohm, 1/20W
RX171	24011102	Chip, 1k ohm, 1/20W
RX172	24011102	Chip, 1k ohm, 1/20W
RX173	24011102	Chip, 1k ohm, 1/20W
RX174	24011102	Chip, 1k ohm, 1/20W
RX175	24011471	Chip, 470 ohm, 1/20W
RX176	24011103	Chip, 10k ohm, 1/20W
RX177	24011471	Chip, 470 ohm, 1/20W
RX178	24011471	Chip, 470 ohm, 1/20W
RX183	24011471	Chip, 470 ohm, 1/20W
RX184	24011152	Chip, 1500 ohm, 1/20W
RX185	24871271	Chip, 270 ohm, 1/8W
RX186	24011100	Chip, 10 ohm, 1/20W
RX187	24871271	Chip, 270 ohm, 1/8W
RX188	24011100	Chip, 10 ohm, 1/20W
RX189	24011101	Chip, 100 ohm, 1/20W
RX190	24011101	Chip, 100 ohm, 1/20W
RX191	24011100	Chip, 10 ohm, 1/20W
RX192	24011101	Chip, 100 ohm, 1/20W
RX193	24011100	Chip, 10 ohm, 1/20W
RX194	24011101	Chip, 100 ohm, 1/20W
RX195	24011100	Chip, 10 ohm, 1/20W
RX197	24011100	Chip, 10 ohm, 1/20W
RX201	24011101	Chip, 100 ohm, 1/20W
RX202	24000445	Chip Jumper, 1680 Type
RX203	24011102	Chip, 1k ohm, 1/20W
RX204	24011101	Chip, 100 ohm, 1/20W

Location No.	Part No.	Description
RX205	24011102	Chip, 1k ohm, 1/20W
RX206	24011223	Chip, 22k ohm, 1/20W
RX207	24011103	Chip, 10k ohm, 1/20W
RX209	24011221	Chip, 220 ohm, 1/20W
RX210	24011221	Chip, 220 ohm, 1/20W
RX211	24011101	Chip, 100 ohm, 1/20W
RX212	24011221	Chip, 220 ohm, 1/20W
RX213	24011102	Chip, 1k ohm, 1/20W
RX214	24011101	Chip, 100 ohm, 1/20W
RX215	24011102	Chip, 1k ohm, 1/20W
RX216	24011100	Chip, 10 ohm, 1/20W
RX217	24011471	Chip, 470 ohm, 1/20W
RX218	24011222	Chip, 2200 ohm, 1/20W
RX219	24011100	Chip, 10 ohm, 1/20W
RX220	24011100	Chip, 10 ohm, 1/20W
RX222	24011470	Chip, 47 ohm, 1/20W
RX224	24011100	Chip, 10 ohm, 1/20W
RX225	24011470	Chip, 47 ohm, 1/20W
RX227	24011100	Chip, 10 ohm, 1/20W
RX228	24011821	Chip, 820 ohm, 1/20W
RX229	24011470	Chip, 47 ohm, 1/20W
RX230	24011470	Chip, 47 ohm, 1/20W
RX231	24011471	Chip, 470 ohm, 1/20W
RX232	24011222	Chip, 2200 ohm, 1/20W
RX233	24011100	Chip, 10 ohm, 1/20W
RX234	24011470	Chip, 47 ohm, 1/20W
RX235	24000445	Chip Jumper, 1680 Type
RX236	24011100	Chip, 10 ohm, 1/20W
RX238	24011102	Chip, 1k ohm, 1/20W
RX242	24011470	Chip, 47 ohm, 1/20W
RX244	24011100	Chip, 10 ohm, 1/20W
RX245	24011470	Chip, 47 ohm, 1/20W
RX247	24011100	Chip, 10 ohm, 1/20W
RX248	24011681	Chip, 680 ohm, 1/20W
RX249	24011470	Chip, 47 ohm, 1/20W
RX250	24011470	Chip, 47 ohm, 1/20W
RX251	24011471	Chip, 470 ohm, 1/20W
RX252	24011272	Chip, 2700 ohm, 1/20W
RX253	24011100	Chip, 10 ohm, 1/20W
RX256	24011100	Chip, 10 ohm, 1/20W
RX258	24011102	Chip, 1k ohm, 1/20W
RX263	24011100	Chip, 10 ohm, 1/20W
RX266	24011100	Chip, 10 ohm, 1/20W
RX268	24011681	Chip, 680 ohm, 1/20W
RX269	24011470	Chip, 47 ohm, 1/20W
RX270	24011470	Chip, 47 ohm, 1/20W
RX271	24011471	Chip, 470 ohm, 1/20W
RX272	24011222	Chip, 2200 ohm, 1/20W
RX273	24011100	Chip, 10 ohm, 1/20W
RX276	24011100	Chip, 10 ohm, 1/20W
RX277	24011100	Chip, 10 ohm, 1/20W
RX304	24011103	Chip, 10k ohm, 1/20W
RX306	24019404	Chip, 10k ohm, 1/16W
RX307	24011103	Chip, 10k ohm, 1/20W
RX308	24011103	Chip, 10k ohm, 1/20W
RX311	24019439	Chip, 47 ohm, 1/16W
RX312	24019439	Chip, 47 ohm, 1/16W
RX313	24019439	Chip, 47 ohm, 1/16W
RX314	24019439	Chip, 47 ohm, 1/16W
RX315	24019439	Chip, 47 ohm, 1/16W
RX316	24019439	Chip, 47 ohm, 1/16W
RX317	24019439	Chip, 47 ohm, 1/16W
RX318	24019439	Chip, 47 ohm, 1/16W
RX319	24019439	Chip, 47 ohm, 1/16W

Location No.	Part No.	Description
RX320	24019439	Chip, 47 ohm, 1/16W
RX321	24019439	Chip, 47 ohm, 1/16W
RX322	24019439	Chip, 47 ohm, 1/16W
RX323	24011470	Chip, 47 ohm, 1/20W
RX324	24011470	Chip, 47 ohm, 1/20W
RX325	24019439	Chip, 47 ohm, 1/16W
RX326	24019439	Chip, 47 ohm, 1/16W
RX327	24019439	Chip, 47 ohm, 1/16W
RX328	24019439	Chip, 47 ohm, 1/16W
RX329	24011334	Chip, 330k ohm, 1/20W
RX330	24011103	Chip, 10k ohm, 1/20W
RX331	24019404	Chip, 10k ohm, 1/16W
RX332	24011103	Chip, 10k ohm, 1/20W
RX334	24011152	Chip, 1500 ohm, 1/20W
RX335	24011332	Chip, 3300 ohm, 1/20W
RX336	24011100	Chip, 10 ohm, 1/20W
RX342	24011271	Chip, 270 ohm, 1/20W
RX343	24011820	Chip, 82 ohm, 1/20W
RX345	24011271	Chip, 270 ohm, 1/20W
RX346	24011820	Chip, 82 ohm, 1/20W
RX347	24011100	Chip, 10 ohm, 1/20W
RX348	24011101	Chip, 100 ohm, 1/20W
RX349	24011100	Chip, 10 ohm, 1/20W
RX350	24011101	Chip, 100 ohm, 1/20W
RX351	24000445	Chip Jumper, 1680 Type
RX352	24000445	Chip Jumper, 1680 Type
RX361	24011181	Chip, 180 ohm, 1/20W
RX362	24011270	Chip, 27 ohm, 1/20W
RX363	24011122	Chip, 1200 ohm, 1/20W
RX365	24011272	Chip, 2700 ohm, 1/20W
RX366	24011181	Chip, 180 ohm, 1/20W
RX367	24011270	Chip, 27 ohm, 1/20W
RX368	24011122	Chip, 1200 ohm, 1/20W
RX370	24011181	Chip, 180 ohm, 1/20W
RX371	24011270	Chip, 27 ohm, 1/20W
RX372	24011122	Chip, 1200 ohm, 1/20W
RX374	24011272	Chip, 2700 ohm, 1/20W
RX375	24011272	Chip, 2700 ohm, 1/20W
RX381	24011100	Chip, 10 ohm, 1/20W
RX382	24011100	Chip, 10 ohm, 1/20W
RX383	24011100	Chip, 10 ohm, 1/20W
RX384	24011100	Chip, 10 ohm, 1/20W
RX385	24011100	Chip, 10 ohm, 1/20W
RX386	24011100	Chip, 10 ohm, 1/20W
RX387	24011100	Chip, 10 ohm, 1/20W
RX391	24011101	Chip, 100 ohm, 1/20W
RX392	24011101	Chip, 100 ohm, 1/20W
RX393	24011102	Chip, 1k ohm, 1/20W
RX394	24011102	Chip, 1k ohm, 1/20W
RX395	24011332	Chip, 3300 ohm, 1/20W
RX396	24011332	Chip, 3300 ohm, 1/20W
RX397	24011103	Chip, 10k ohm, 1/20W
RX398	24872331	Chip, 330 ohm, 1/16W
RX399	24872331	Chip, 330 ohm, 1/16W
RX403	24011101	Chip, 100 ohm, 1/20W
RX404	24871101	Chip, 100 ohm, 1/8W
RX405	24011101	Chip, 100 ohm, 1/20W
RX406	24871471	Chip, 470 ohm, 1/8W
RX551	24011100	Chip, 10 ohm, 1/20W
RX552	24871681	Chip, 680 ohm, 1/8W
RX554	24011121	Chip, 120 ohm, 1/20W
RX555	24011681	Chip, 680 ohm, 1/20W
RX557	24871681	Chip, 680 ohm, 1/8W
RX561	24011100	Chip, 10 ohm, 1/20W

Location No.	Part No.	Description
RX562	24871681	Chip, 680 ohm, 1/8W
RX564	24011121	Chip, 120 ohm, 1/20W
RX565	24011471	Chip, 470 ohm, 1/20W
RX567	24871681	Chip, 680 ohm, 1/8W
RX571	24011100	Chip, 10 ohm, 1/20W
RX572	24871681	Chip, 680 ohm, 1/8W
RX574	24011121	Chip, 120 ohm, 1/20W
RX575	24011471	Chip, 470 ohm, 1/20W
RX577	24871681	Chip, 680 ohm, 1/8W
RX601	24011100	Chip, 10 ohm, 1/20W
RX602	24011100	Chip, 10 ohm, 1/20W
RX603	24011334	Chip, 330k ohm, 1/20W
RX604	24011100	Chip, 10 ohm, 1/20W
RX605	24011100	Chip, 10 ohm, 1/20W
RX606	24011470	Chip, 47 ohm, 1/20W
RX611	24019439	Chip, 47 ohm, 1/16W
RX612	24019439	Chip, 47 ohm, 1/16W
RX613	24019439	Chip, 47 ohm, 1/16W
RX614	24019439	Chip, 47 ohm, 1/16W
RX615	24019439	Chip, 47 ohm, 1/16W
RX616	24019439	Chip, 47 ohm, 1/16W
RX617	24019439	Chip, 47 ohm, 1/16W
RX618	24019439	Chip, 47 ohm, 1/16W
RX627	24011330	Chip, 33 ohm, 1/20W
RX651	24011103	Chip, 10k ohm, 1/20W
RX654	24011103	Chip, 10k ohm, 1/20W
RX661	24011103	Chip, 10k ohm, 1/20W
RX664	24011103	Chip, 10k ohm, 1/20W
RX671	24011151	Chip, 150 ohm, 1/20W
RX672	24011220	Chip, 22 ohm, 1/20W
RX673	24011272	Chip, 2700 ohm, 1/20W
RX674	24011122	Chip, 1200 ohm, 1/20W
RX675	24011272	Chip, 2700 ohm, 1/20W
RX676	24011181	Chip, 180 ohm, 1/20W
RX677	24011220	Chip, 22 ohm, 1/20W
RX678	24011272	Chip, 2700 ohm, 1/20W
RX679	24011122	Chip, 1200 ohm, 1/20W
RX680	24011272	Chip, 2700 ohm, 1/20W
RX681	24011181	Chip, 180 ohm, 1/20W
RX682	24011220	Chip, 22 ohm, 1/20W
RX683	24011272	Chip, 2700 ohm, 1/20W
RX684	24011122	Chip, 1200 ohm, 1/20W
RX685	24011272	Chip, 2700 ohm, 1/20W
RX691	24011100	Chip, 10 ohm, 1/20W
RX812	24011101	Chip, 100 ohm, 1/20W
RX821	24011151	Chip, 150 ohm, 1/20W
RX822	24011151	Chip, 150 ohm, 1/20W
RX823	24011151	Chip, 150 ohm, 1/20W
RX824	24011101	Chip, 100 ohm, 1/20W
RX825	24011101	Chip, 100 ohm, 1/20W
RX826	24011681	Chip, 680 ohm, 1/20W
RX827	24011101	Chip, 100 ohm, 1/20W
RX829	24011102	Chip, 1k ohm, 1/20W
RX831	24011100	Chip, 10 ohm, 1/20W
RX832	24011100	Chip, 10 ohm, 1/20W
RX833	24011100	Chip, 10 ohm, 1/20W
RX844	24011101	Chip, 100 ohm, 1/20W
RX845	24011101	Chip, 100 ohm, 1/20W
RY01	24011102	Chip, 1k ohm, 1/20W
RY02	24011471	Chip, 470 ohm, 1/20W
RY09	24011102	Chip, 1k ohm, 1/20W
RY10	24011102	Chip, 1k ohm, 1/20W
RY20	24011101	Chip, 100 ohm, 1/20W
RY21	24011101	Chip, 100 ohm, 1/20W

Location No.	Part No.	Description
RY22	24011153	Chip, 15k ohm, 1/20W
RY23	24011332	Chip, 3300 ohm, 1/20W
RY24	24011102	Chip, 1k ohm, 1/20W
RY25	24011102	Chip, 1k ohm, 1/20W
RY26	24011331	Chip, 330 ohm, 1/20W
RY27	24011330	Chip, 33 ohm, 1/20W
RY28	24011153	Chip, 15k ohm, 1/20W
RY32	24011330	Chip, 33 ohm, 1/20W
RY33	24011330	Chip, 33 ohm, 1/20W
RY80	24366331	CF, 330 ohm
RY81	24366101	CF, 100 ohm
RY82	24366102	CF, 1k ohm
RY87	24366100	CF, 10 ohm
RY150	24011102	Chip, 1k ohm, 1/20W
RY151	24011471	Chip, 470 ohm, 1/20W
RY152	24011102	Chip, 1k ohm, 1/20W
RY154	24011473	Chip, 47k ohm, 1/20W
RY155	24011102	Chip, 1k ohm, 1/20W
RY156	24011182	Chip, 1800 ohm, 1/20W
RY157	24011102	Chip, 1k ohm, 1/20W
RY190	24011103	Chip, 10k ohm, 1/20W
RY212	24011103	Chip, 10k ohm, 1/20W
RY213	24011123	Chip, 12k ohm, 1/20W
RY214	24011222	Chip, 2200 ohm, 1/20W
RY510	24011102	Chip, 1k ohm, 1/20W
RY511	24011472	Chip, 4700 ohm, 1/20W
RY520	24011472	Chip, 4700 ohm, 1/20W
RY521	24011472	Chip, 4700 ohm, 1/20W
RY522	24011472	Chip, 4700 ohm, 1/20W
RY523	24011101	Chip, 100 ohm, 1/20W
RY525	24011101	Chip, 100 ohm, 1/20W
RY527	24011101	Chip, 100 ohm, 1/20W
RY529	24011472	Chip, 4700 ohm, 1/20W
RY530	24011472	Chip, 4700 ohm, 1/20W
RY531	24011472	Chip, 4700 ohm, 1/20W
RY532	24011101	Chip, 100 ohm, 1/20W
RY533	24011101	Chip, 100 ohm, 1/20W
RY534	24011101	Chip, 100 ohm, 1/20W
RY544	24011103	Chip, 10k ohm, 1/20W
RY545	24011103	Chip, 10k ohm, 1/20W
RY546	24011103	Chip, 10k ohm, 1/20W
RY601	24011334	Chip, 330k ohm, 1/20W
RY602	24011470	Chip, 47 ohm, 1/20W
RY603	24011470	Chip, 47 ohm, 1/20W
RY612	24011470	Chip, 47 ohm, 1/20W
RY613	24011470	Chip, 47 ohm, 1/20W
RY621	24011102	Chip, 1k ohm, 1/20W
RY622	24011152	Chip, 1500 ohm, 1/20W
RY623	24011102	Chip, 1k ohm, 1/20W
RY661	24011102	Chip, 1k ohm, 1/20W
RY663	24011102	Chip, 1k ohm, 1/20W
RY806	24011101	Chip, 100 ohm, 1/20W
RY810	24011101	Chip, 100 ohm, 1/20W
RZ01	24011330	Chip, 33 ohm, 1/20W
RZ02	24011152	Chip, 1500 ohm, 1/20W
RZ03	24011682	Chip, 6800 ohm, 1/20W
RZ04	24011392	Chip, 3900 ohm, 1/20W
RZ05	24011122	Chip, 1200 ohm, 1/20W
RZ06	24011431	Chip, 430 ohm, 1/20W
RZ07	24871331	Chip, 330 ohm, 1/8W
RZ08	24011151	Chip, 150 ohm, 1/20W
RZ09	24011330	Chip, 33 ohm, 1/20W
RZ10	24011102	Chip, 1k ohm, 1/20W
RZ11	24011561	Chip, 560 ohm, 1/20W

Location No.	Part No.	Description
RZ12	24011182	Chip, 1800 ohm, 1/20W
RZ13	24011392	Chip, 3900 ohm, 1/20W
RZ14	24011123	Chip, 12k ohm, 1/20W
RZ15	24011151	Chip, 150 ohm, 1/20W
RZ16	24011102	Chip, 1k ohm, 1/20W
RZ17	24871181	Chip, 180 ohm, 1/8W
RZ18	24011121	Chip, 120 ohm, 1/20W
RZ21	24011271	Chip, 270 ohm, 1/20W
RZ28	24011102	Chip, 1k ohm, 1/20W
RZ30	24000445	Chip Jumper, 1680 Type
RZ31	24011104	Chip, 100k ohm, 1/20W
RZ32	24000445	Chip Jumper, 1680 Type
RZ33	24011101	Chip, 100 ohm, 1/20W
RZ34	24011101	Chip, 100 ohm, 1/20W
RZ49	24011102	Chip, 1k ohm, 1/20W
RZ60	24011102	Chip, 1k ohm, 1/20W
RZ64	24011221	Chip, 220 ohm, 1/20W
RZ65	24011224	Chip, 220k ohm, 1/20W
RZ66	24011223	Chip, 22k ohm, 1/20W
RZ67	24011102	Chip, 1k ohm, 1/20W
RZ68	24011222	Chip, 2200 ohm, 1/20W
RZ69	24011153	Chip, 15k ohm, 1/20W
RZ70	24011472	Chip, 4700 ohm, 1/20W
RZ71	24011101	Chip, 100 ohm, 1/20W
RZ72	24011103	Chip, 10k ohm, 1/20W
RZ73	24011103	Chip, 10k ohm, 1/20W
RZ74	24872229	Chip, 2.2 ohm, 1/16W
RZ80	24019439	Chip, 47 ohm, 1/16W
RZ81	24019439	Chip, 47 ohm, 1/16W
RZ82	24019439	Chip, 47 ohm, 1/16W
RZ83	24019439	Chip, 47 ohm, 1/16W
RZ84	24019439	Chip, 47 ohm, 1/16W
RZ85	24019439	Chip, 47 ohm, 1/16W
RZ86	24011470	Chip, 47 ohm, 1/20W
RZ101	24011101	Chip, 100 ohm, 1/20W
RZ102	24011221	Chip, 220 ohm, 1/20W
RZ103	24011102	Chip, 1k ohm, 1/20W
RZ104	24011102	Chip, 1k ohm, 1/20W
RZ105	24011821	Chip, 820 ohm, 1/20W
RZ106	24000445	Chip Jumper, 1680 Type
RZ107	24011751	Chip, 750 ohm, 1/20W
RZ109	24011102	Chip, 1k ohm, 1/20W
RZ110	24011152	Chip, 1500 ohm, 1/20W
RZ243	24011220	Chip, 22 ohm, 1/20W
RZ244	24011152	Chip, 1500 ohm, 1/20W
RZ245	24011220	Chip, 22 ohm, 1/20W
RZ246	24011152	Chip, 1500 ohm, 1/20W
RZ265	24011472	Chip, 4700 ohm, 1/20W
RZ266	24011103	Chip, 10k ohm, 1/20W
RZ800	24871330	Chip, 33 ohm, 1/8W
RZ802	24871330	Chip, 33 ohm, 1/8W
RZ804	24011330	Chip, 33 ohm, 1/20W

COILS & TRANSFORMERS

L101	23289845	Coil, Peaking, TRF4680A
L103	23289844	Coil, Peaking, TRF4470A
L111	23289845	Coil, Peaking, TRF4680A
L113	23289842	Coil, Peaking, TRF4220A
L115	23103852	Coil, Filter, TEM2028A
L121	23238562	Coil, Peaking, TRF4109A
L122	23238562	Coil, Peaking, TRF4109A
L301	23237975	Coil, Peaking, TRF4101A
L302	23248073	Coil, Choke, TLN3299D
L303	23248073	Coil, Choke, TLN3299D

Location No.	Part No.	Description
L304	23103859	Coil (Ferrite Bead), TEM2011
L305	23103775	Coil (Ferrite Bead), TEM2014
L401	23289560	Coil, Peaking, TRF4560A
L402	23103880	Coil (Ferrite Bead), TEM2011Y
△L403	23248248	Coil, Choke, TLN3500A
L404	23248191	Coil, Choke, TLN3351A
L405	23103775	Coil (Ferrite Bead), TEM2014
L406	23103775	Coil (Ferrite Bead), TEM2014
L410	23289120	Coil, Peaking, TRF4120A
△L441	23233050	Coil, Linearity, TLN2083G
△L441	23233995	Coil, Linearity, TLN2215A
△L462	23231325	Deflection Yoke, TDY707PS
△L462	23231326	Deflection Yoke, TDY707PD
△L463	23231325	Deflection Yoke, TDY707PS
△L464	23231325	Deflection Yoke, TDY707PS
L472	23102457	Magnet, MAG-1102
L473	23102457	Magnet, MAG-1102
L474	23102457	Magnet, MAG-1102
L502	23289120	Coil, Peaking, TRF4120A
L503	23289120	Coil, Peaking, TRF4120A
L504	23103827	Chip (Ferrite Bead), TEM2120M
L506	23103827	Chip (Ferrite Bead), TEM2120M
L510	23103845	Coil, TEM2030A
L701	23237987	Coil, Peaking, TRF4100A
L702	23261974	Coil, Choke, HC5-035
L704	23103859	Coil (Ferrite Bead), TEM2011
L705	23103859	Coil (Ferrite Bead), TEM2011
L764	23103859	Coil (Ferrite Bead), TEM2011
L765	23103859	Coil (Ferrite Bead), TEM2011
L766	23261974	Coil, Choke, HC5-035
L769	23237987	Coil, Peaking, TRF4100A
L780	23237987	Coil, Peaking, TRF4100A
L781	23103859	Coil (Ferrite Bead), TEM2011
L782	23103859	Coil (Ferrite Bead), TEM2011
L783	23261974	Coil, Choke, HC5-035
L851	23103880	Coil (Ferrite Bead), TEM2011Y
L852	23103880	Coil (Ferrite Bead), TEM2011Y
L861	23103880	Coil (Ferrite Bead), TEM2011Y
L862	23103880	Coil (Ferrite Bead), TEM2011Y
L881	23103880	Coil (Ferrite Bead), TEM2011Y
L882	23103880	Coil (Ferrite Bead), TEM2011Y
L885	23248073	Coil, Choke, TLN3299D
L888	23103880	Coil (Ferrite Bead), TEM2011Y
L889	23103880	Coil (Ferrite Bead), TEM2011Y
L891	23103880	Coil (Ferrite Bead), TEM2011Y
L892	23103880	Coil (Ferrite Bead), TEM2011Y
L893	23103880	Coil (Ferrite Bead), TEM2011Y
L894	23103880	Coil (Ferrite Bead), TEM2011Y
L895	23248247	Coil, Choke, TLN3499A
L896	23248247	Coil, Choke, TLN3499A
L897	23248087	Coil, Choke, TLN3312D
L898	23222694	Coil, Width, TLN2026
L898	23248087	Coil, Choke, TLN3312D
L902	23289100	Coil, Peaking, TRF4100A
L903	23289101	Coil, Peaking, TRF4101A
L911	23237987	Coil, Peaking, TRF4100A
L912	23289101	Coil, Peaking, TRF4101A
L913	23289100	Coil, Peaking, TRF4100A
L915	23289100	Coil, Peaking, TRF4100A
L922	23289101	Coil, Peaking, TRF4101A
L923	23289150	Coil, Peaking, TRF4150A
L925	23289100	Coil, Peaking, TRF4100A

Location No.	Part No.	Description
L961	23238714	Coil, Peaking, TRF4100A
L962	23289100	Coil, Peaking, TRF4100A
L7701	23103859	Coil (Ferrite Bead), TEM2011
L7702	23103859	Coil (Ferrite Bead), TEM2011
L7703	23103859	Coil (Ferrite Bead), TEM2011
L7704	23103859	Coil (Ferrite Bead), TEM2011
L7705	23103859	Coil (Ferrite Bead), TEM2011
L7706	23103859	Coil (Ferrite Bead), TEM2011
L7708	23103859	Coil (Ferrite Bead), TEM2011
L7709	23103859	Coil (Ferrite Bead), TEM2011
L7710	23248195	Coil, Choke, TLN3441A
L7711	23248195	Coil, Choke, TLN3441A
L7712	23248031	Coil, Choke, TLN3274D
L7713	23248031	Coil, Choke, TLN3274D
LH001	23103864	Chip (Ferrite Bead), TEM2103T
LH003	23103859	Coil (Ferrite Bead), TEM2011
LH004	23103859	Coil (Ferrite Bead), TEM2011
LH005	23103859	Coil (Ferrite Bead), TEM2011
LH007	23103795	Chip, Impeder, MMZ2012S301
LH009	23103795	Chip, Impeder, MMZ2012S301
LH010	23103795	Chip, Impeder, MMZ2012S301
LH012	23103859	Coil (Ferrite Bead), TEM2011
LH061	23103864	Chip (Ferrite Bead), TEM2103T
LH062	23103864	Chip (Ferrite Bead), TEM2103T
LH063	23103864	Chip (Ferrite Bead), TEM2103T
LH064	23103864	Chip (Ferrite Bead), TEM2103T
LH065	23103864	Chip (Ferrite Bead), TEM2103T
LH066	23103864	Chip (Ferrite Bead), TEM2103T
LH067	23103864	Chip (Ferrite Bead), TEM2103T
LH120	23103864	Chip (Ferrite Bead), TEM2103T
LH122	23103864	Chip (Ferrite Bead), TEM2103T
LH123	23103864	Chip (Ferrite Bead), TEM2103T
LH124	23103864	Chip (Ferrite Bead), TEM2103T
LH125	23103864	Chip (Ferrite Bead), TEM2103T
LH126	23103864	Chip (Ferrite Bead), TEM2103T
LH301	23103859	Coil (Ferrite Bead), TEM2011
LH302	23103859	Coil (Ferrite Bead), TEM2011
LH401	23245830	Chip, Inductor, TRF4100C
LH402	23103864	Chip (Ferrite Bead), TEM2103T
LH403	23103864	Chip (Ferrite Bead), TEM2103T
LH404	23103864	Chip (Ferrite Bead), TEM2103T
LH405	23103864	Chip (Ferrite Bead), TEM2103T
LH411	23103864	Chip (Ferrite Bead), TEM2103T
LM09	23103906	Chip (Ferrite Bead), TEM2118A
LV05	23289560	Coil, Peaking, TRF4560A
LV06	23289560	Coil, Peaking, TRF4560A
LV07	23289100	Coil, Peaking, TRF4100A
LV10	23289100	Coil, Peaking, TRF4100A
LV13	23289100	Coil, Peaking, TRF4100A
LV14	23289100	Coil, Peaking, TRF4100A
LV20	23238705	Coil, Peaking, TRF4560A
LV502	23103906	Chip (Ferrite Bead), TEM2118A
LV503	24000445	Chip Jumper, 1680 Type
LX101	23103906	Chip (Ferrite Bead), TEM2118A
LX102	23103906	Chip (Ferrite Bead), TEM2118A
LX103	23103906	Chip (Ferrite Bead), TEM2118A
LX104	23103906	Chip (Ferrite Bead), TEM2118A
LX111	23246323	Chip, Inductor, TRF44R7C

Location No.	Part No.	Description
LX121	23246323	Chip, Inductor, TRF44R7C
LX131	23246323	Chip, Inductor, TRF44R7C
LX141	23246323	Chip, Inductor, TRF44R7C
LX151	23246323	Chip, Inductor, TRF44R7C
LX161	23246323	Chip, Inductor, TRF44R7C
LX173	24000445	Chip Jumper, 1680 Type
LX174	23103906	Chip (Ferrite Bead), TEM2118A
LX175	23103806	Chip (Ferrite Bead), TEM2114T
LX178	23103906	Chip (Ferrite Bead), TEM2118A
LX186	23103823	Coil, TEM2027D
LX187	23103823	Coil, TEM2027D
LX206	23103906	Chip (Ferrite Bead), TEM2118A
LX216	23103906	Chip (Ferrite Bead), TEM2118A
LX221	23103906	Chip (Ferrite Bead), TEM2118A
LX222	23103906	Chip (Ferrite Bead), TEM2118A
LX223	23103906	Chip (Ferrite Bead), TEM2118A
LX224	23103906	Chip (Ferrite Bead), TEM2118A
LX225	23103906	Chip (Ferrite Bead), TEM2118A
LX226	23103906	Chip (Ferrite Bead), TEM2118A
LX227	23103906	Chip (Ferrite Bead), TEM2118A
LX228	23103906	Chip (Ferrite Bead), TEM2118A
LX229	23103823	Coil, TEM2027D
LX241	23103906	Chip (Ferrite Bead), TEM2118A
LX242	23103906	Chip (Ferrite Bead), TEM2118A
LX243	23103906	Chip (Ferrite Bead), TEM2118A
LX244	23103906	Chip (Ferrite Bead), TEM2118A
LX245	23103906	Chip (Ferrite Bead), TEM2118A
LX246	23103906	Chip (Ferrite Bead), TEM2118A
LX247	23103906	Chip (Ferrite Bead), TEM2118A
LX248	23103906	Chip (Ferrite Bead), TEM2118A
LX249	23103823	Coil, TEM2027D
LX260	23103906	Chip (Ferrite Bead), TEM2118A
LX262	23103906	Chip (Ferrite Bead), TEM2118A
LX263	23103906	Chip (Ferrite Bead), TEM2118A
LX265	23103906	Chip (Ferrite Bead), TEM2118A
LX266	23103906	Chip (Ferrite Bead), TEM2118A
LX267	23103906	Chip (Ferrite Bead), TEM2118A
LX269	23103823	Coil, TEM2027D

Location No.	Part No.	Description
LX301	23103886	Chip (Ferrite Bead), TEM2129A
LX302	24000824	Chip Jumper, 2125 Type
LX303	23103886	Chip (Ferrite Bead), TEM2129A
LX310	23103886	Chip (Ferrite Bead), TEM2129A
LX312	23246199	Chip, Inductor, TRF42R2C
LX320	23103886	Chip (Ferrite Bead), TEM2129A
LX330	23103887	Chip (Ferrite Bead), TEM2130A
LX331	23103886	Chip (Ferrite Bead), TEM2129A
LX340	23103906	Chip (Ferrite Bead), TEM2118A
LX341	23103906	Chip (Ferrite Bead), TEM2118A
LX342	24000445	Chip Jumper, 1680 Type
LX343	23103906	Chip (Ferrite Bead), TEM2118A
LX344	24000445	Chip Jumper, 1680 Type
LX346	24000445	Chip Jumper, 1680 Type
LX347	24000445	Chip Jumper, 1680 Type
LX348	23103806	Chip (Ferrite Bead), TEM2114T
LX349	23103806	Chip (Ferrite Bead), TEM2114T
LX360	23103806	Chip (Ferrite Bead), TEM2114T
LX362	23103906	Chip (Ferrite Bead), TEM2118A
LX391	23103906	Chip (Ferrite Bead), TEM2118A
LX470	23103906	Chip (Ferrite Bead), TEM2118A
LX473	23246325	Chip, Inductor, TRF4220C
LX500	23103806	Chip (Ferrite Bead), TEM2114T
LX542	23103906	Chip (Ferrite Bead), TEM2118A
LX551	23103823	Coil, TEM2027D
LX552	23246199	Chip, Inductor, TRF42R2C
LX561	23103823	Coil, TEM2027D
LX562	23246323	Chip, Inductor, TRF44R7C
LX571	23103823	Coil, TEM2027D
LX572	23246323	Chip, Inductor, TRF44R7C
LX601	23103886	Chip (Ferrite Bead), TEM2129A
LX604	23103906	Chip (Ferrite Bead), TEM2118A
LX605	23103906	Chip (Ferrite Bead), TEM2118A
LX607	23103906	Chip (Ferrite Bead), TEM2118A
LX608	23103906	Chip (Ferrite Bead), TEM2118A
LX609	23103906	Chip (Ferrite Bead), TEM2118A
LX610	23103886	Chip (Ferrite Bead), TEM2129A
LX612	23103906	Chip (Ferrite Bead), TEM2118A
LX613	24000824	Chip Jumper, 2125 Type
LX614	23103886	Chip (Ferrite Bead), TEM2129A
LX615	23103886	Chip (Ferrite Bead), TEM2129A

Location No.	Part No.	Description
LX630	23103887	Chip (Ferrite Bead), TEM2130A
LX648	23103906	Chip (Ferrite Bead), TEM2118A
LX691	23103823	Coil, TEM2027D
LX692	23103906	Chip (Ferrite Bead), TEM2118A
LY09	23103827	Chip (Ferrite Bead), TEM2120M
LY22	23103824	Coil, TEM2028K
LY64	23103827	Chip (Ferrite Bead), TEM2120M
LY305	23103906	Chip (Ferrite Bead), TEM2118A
LY306	23103906	Chip (Ferrite Bead), TEM2118A
LY311	23103906	Chip (Ferrite Bead), TEM2118A
LY312	23103906	Chip (Ferrite Bead), TEM2118A
LY331	23103886	Chip (Ferrite Bead), TEM2129A
LY332	23103886	Chip (Ferrite Bead), TEM2129A
LY502	23103906	Chip (Ferrite Bead), TEM2118A
LY503	24000445	Chip Jumper, 1680 Type
LY601	23103906	Chip (Ferrite Bead), TEM2118A
LY602	23103906	Chip (Ferrite Bead), TEM2118A
LY620	23103906	Chip (Ferrite Bead), TEM2118A
LY621	23103906	Chip (Ferrite Bead), TEM2118A
LY660	23103906	Chip (Ferrite Bead), TEM2118A
LY661	23103906	Chip (Ferrite Bead), TEM2118A
LZ03	24000445	Chip Jumper, 1680 Type
LZ05	23103906	Chip (Ferrite Bead), TEM2118A
LZ09	23103906	Chip (Ferrite Bead), TEM2118A
LZ20	23246316	Chip, Inductor, TRF44R7C
LZ21	23246317	Chip, Inductor, TRF4100C
LZ22	23246199	Chip, Inductor, TRF42R2C
LZ25	23103906	Chip (Ferrite Bead), TEM2118A
LZ26	23103906	Chip (Ferrite Bead), TEM2118A
LZ28	23103906	Chip (Ferrite Bead), TEM2118A
LZ29	23103906	Chip (Ferrite Bead), TEM2118A
LZ30	24000445	Chip Jumper, 1680 Type
LZ31	23103906	Chip (Ferrite Bead), TEM2118A
LZ32	23103906	Chip (Ferrite Bead), TEM2118A
LZ34	24000445	Chip Jumper, 1680 Type
LZ35	23103906	Chip (Ferrite Bead), TEM2118A

Location No.	Part No.	Description
LZ36	23103906	Chip (Ferrite Bead), TEM2118A
LZ38	23103906	Chip (Ferrite Bead), TEM2118A
LZ39	23103906	Chip (Ferrite Bead), TEM2118A
LZ96	23246206	Chip, Inductor, TRF48R2C
LZ100	23246223	Chip, Inductor, TRF4330C
LZ101	23103827	Chip (Ferrite Bead), TEM2120M
LZ102	23103827	Chip (Ferrite Bead), TEM2120M
LZ103	23103906	Chip (Ferrite Bead), TEM2118A
LZ104	23246219	Chip, Inductor, TRF4150C
LZ105	23246222	Chip, Inductor, TRF4270C
T400	23224364	Transformer, Focus, TLN2168A
T401	23224371	Transformer, Horiz, Drive, TLN1080A
△T461	23236686	Transformer, Flyback, TFB3090AD
T461A	23192960	Anode Cap, TCC5604AT
T801	23211698	Line Filter, TRF3218A
T802	23211729	Line Filter, TRF3232A
T840	23217530	Transformer, Power, TPW1570AT
T862	23217467	Transformer, Converter, TPW3450A
SEMICONDUCTORS		
Q151	23114530	Transistor, 2SA933S-Q
Q152	23114528	Transistor, 2SC1740S, Q
Q171	23205057	Transistor, KTA1504Y-RT
Q172	23205057	Transistor, KTA1504Y-RT
Q201	23205057	Transistor, KTA1504Y-RT
Q210	23314289	Transistor, 2SA1586-Y(T
Q211	23314993	Transistor, 2SC4081T106
Q213	23205014	Transistor, 2SC4667-O
Q221	23114756	Transistor, 2SC2482μ
Q301	23319787	IC, LA7833S
Q302	23205054	Transistor, KTA1504Y-RT
Q305	23904896	IC, JLC1562BFEL
Q321	70119059	IC, TA75902P(J)
Q322	23905266	IC, TA8859CP
Q323	23314965	Transistor, KTC3198 Y
Q324	70119059	IC, TA75902P(J)
Q325	23314965	Transistor, KTC3198 Y
Q326	23314962	Transistor, KTA1266 Y
Q327	23114528	Transistor, 2SC1740S, Q
Q328	23114462	Transistor, RN1202
Q329	23114461	Transistor, RN1203
Q400	23205079	Transistor, 2SC4686A
Q401	23314862	Transistor, 2SK941
Q402	23114530	Transistor, 2SA933S-Q
Q403	23114437	Transistor, 2SC752GTM-Y
Q404	23205007	Transistor, 2SC5570(FA)
Q405	23114437	Transistor, 2SC752GTM-Y
Q406	70128158	IC, BA10393
Q407	23319808	IC, M5218AP
Q408	23205031	Transistor, 2SK2920
Q409	23314965	Transistor, KTC3198 Y
Q410	23314289	Transistor, 2SA1586-Y(T
Q420	23316816	IC, LA7860

Location No.	Part No.	Description
Q421	23114437	Transistor, 2SC752GTM-Y
Q431	70114402	Transistor, 2SC3437Y-L
Q432	70114402	Transistor, 2SC3437Y-L
Q434	70114402	Transistor, 2SC3437Y-L
Q435	70114402	Transistor, 2SC3437Y-L
Q436	23205057	Transistor, KTA1504Y-RT
Q437	23000370	IC, TA1318N
Q438	23318981	IC, MC14053BFEL
Q501	23906335	IC, TA1270AF(J)
Q502	23000263	IC, BU4053BCF-E2
Q503	23314289	Transistor, 2SA1586-Y(T
Q504	23314993	Transistor, 2SC4081T106
Q510	23000584	IC, TA1316AN
Q520	23114530	Transistor, 2SA933S-Q
Q521	23114530	Transistor, 2SA933S-Q
Q522	23114530	Transistor, 2SA933S-Q
Q523	23205057	Transistor, KTA1504Y-RT
Q524	23114502	Transistor, RN1401(TE85
Q525	23114502	Transistor, RN1401(TE85
Q526	23114502	Transistor, RN1401(TE85
Q527	23205054	Transistor, KTA1504Y-RT
Q528	23205054	Transistor, KTA1504Y-RT
Q529	23205054	Transistor, KTA1504Y-RT
Q601	23000269	IC, TA8216H
Q612	23205054	Transistor, KTA1504Y-RT
Q661	70114396	Transistor, 2SC3326B (L
Q662	70114396	Transistor, 2SC3326B (L
Q663	23906597	IC, BA4558F
Q664	23114493	Transistor, RN2404(TE85
Q681	70114396	Transistor, 2SC3326B (L
Q682	70114396	Transistor, 2SC3326B (L
Q683	23205057	Transistor, KTA1504Y-RT
Q706	23114528	Transistor, 2SC1740S, Q
Q707	23114437	Transistor, 2SC752GTM-Y
Q709	23114528	Transistor, 2SC1740S, Q
Q710	23114530	Transistor, 2SA933S-Q
Q711	23314909	Transistor, 2SA1837
Q712	23314912	Transistor, 2SC4793
Q719	23114528	Transistor, 2SC1740S, Q
Q720	23114528	Transistor, 2SC1740S, Q
Q751	23905094	IC, STR392-110
Q752	23905094	IC, STR392-110
Q760	23114530	Transistor, 2SA933S-Q
Q761	23314909	Transistor, 2SA1837
Q764	23319720	IC, TC74HC14AF
Q765	23205057	Transistor, KTA1504Y-RT
Q766	23205057	Transistor, KTA1504Y-RT
Q767	23904442	IC, TC74HC4066A
Q770	23904524	IC, AN7812
Q771	23319267	IC, AN79M12F
Q772	23205054	Transistor, KTA1504Y-RT
Q773	23205057	Transistor, KTA1504Y-RT
Q776	23205057	Transistor, KTA1504Y-RT
Q777	23205054	Transistor, KTA1504Y-RT
Q778	23205057	Transistor, KTA1504Y-RT
Q779	23205057	Transistor, KTA1504Y-RT
Q780	23205054	Transistor, KTA1504Y-RT
Q781	23205057	Transistor, KTA1504Y-RT
Q782	23318840	IC, AN79M05F
Q783	23205037	Transistor, 2SJ512
Q784	23314909	Transistor, 2SA1837
Q785	23314912	Transistor, 2SC4793
Q788	23205057	Transistor, KTA1504Y-RT
Q792	23906429	IC, TC74HC123AF

Location No.	Part No.	Description
Q793	23205031	Transistor, 2SK2920
Q796	23205057	Transistor, KTA1504Y-RT
Q797	23906164	IC, TA75S393F(T
Q798	23318537	IC, TC4S66F
Q799	23318537	IC, TC4S66F
Q801	23135015	IC, STR-Z4369
Q830	23904163	IC, SI-3090CA
Q831	23905976	IC, PQ05RD11
Q832	23905770	IC, PQ3RF23
Q840	23905976	IC, PQ05RD11
Q843	23314965	Transistor, KTC3198 Y
Q862	23000823	IC, TLP421F(GR)
Q901	23314971	Transistor, 2SC5360(FA)
Q902	23114433	Transistor, 2SC1815-Y
Q911	23314971	Transistor, 2SC5360(FA)
Q912	23114433	Transistor, 2SC1815-Y
Q913	23114735	Transistor, 2SA1020-Y(C)
Q914	23114433	Transistor, 2SC1815-Y
Q915	23114433	Transistor, 2SC1815-Y
Q916	23114433	Transistor, 2SC1815-Y
Q917	23114433	Transistor, 2SC1815-Y
Q918	23114433	Transistor, 2SC1815-Y
Q919	23114433	Transistor, 2SC1815-Y
Q920	23114433	Transistor, 2SC1815-Y
Q921	23314971	Transistor, 2SC5360(FA)
Q922	23114433	Transistor, 2SC1815-Y
Q961	23114433	Transistor, 2SC1815-Y
Q962	23114735	Transistor, 2SA1020-Y(C)
Q963	23114433	Transistor, 2SC1815-Y
Q964	23114425	Transistor, 2SA1015-Y(TEM)
Q965	23114433	Transistor, 2SC1815-Y
Q966	23114425	Transistor, 2SA1015-Y(TEM)
Q968	23114433	Transistor, 2SC1815-Y
Q971	23114425	Transistor, 2SA1015-Y(TEM)
Q972	23114425	Transistor, 2SA1015-Y(TEM)
Q973	23114735	Transistor, 2SA1020-Y(C)
Q974	23114433	Transistor, 2SC1815-Y
Q975	23114437	Transistor, 2SC752GTM-Y
Q2103	23205057	Transistor, KTA1504Y-RT
Q5000	23000821	IC, TDA9178TN1
Q5001	23314289	Transistor, 2SA1586-Y(T
Q5001	23314994	Transistor, 2SA1576AT10
Q5002	23314993	Transistor, 2SC4081T106
Q5003	23314993	Transistor, 2SC4081T106
Q5004	23314993	Transistor, 2SC4081T106
Q5005	23314993	Transistor, 2SC4081T106
Q5006	23314993	Transistor, 2SC4081T106
Q5007	23314289	Transistor, 2SA1586-Y(T
Q5008	23314993	Transistor, 2SC4081T106
Q5009	23314993	Transistor, 2SC4081T106
Q5010	23000871	IC, BA7602F-E2
QA01	23000836	IC, MN102H51KFB
QA02	23906642	IC, AT24C64-10P
QA21	23205057	Transistor, KTA1504Y-RT
QA70	23319935	IC, MM1096BS
QA71	23205057	Transistor, KTA1504Y-RT
QA72	23205057	Transistor, KTA1504Y-RT
QA80	23906295	IC, μ PC29M33HB
QA81	70200563	IC, PST9129
QB01	23114528	Transistor, 2SC1740S, Q
QB03	23114498	Transistor, RN1405(TE85
QB05	23205057	Transistor, KTA1504Y-RT
QB14	23205057	Transistor, KTA1504Y-RT
QB15	23205057	Transistor, KTA1504Y-RT

Location No.	Part No.	Description
QB30	23314965	Transistor, KTC3198 Y
QB55	23205057	Transistor, KTA1504Y-RT
QB61	70114402	Transistor, 2SC3437Y-L
QB81	70114396	Transistor, 2SC3326B (L
QB82	70114396	Transistor, 2SC3326B (L
QB83	23314163	Transistor, 2SA1162-Y(T
QB84	23205057	Transistor, KTA1504Y-RT
QB85	23205054	Transistor, KTA1504Y-RT
QB86	23205054	Transistor, KTA1504Y-RT
QB87	23205054	Transistor, KTA1504Y-RT
QB88	23205054	Transistor, KTA1504Y-RT
QD01	23000381	IC, CXA2021S
QD41	23000189	IC, TA2136N
QD101	23904935	IC, TA1217AN
QH001	23000380	IC, TC190C06A30
QH004	23319595	IC, TC74HC244AF
QH005	23905013	IC, TLC29321PW
QH006	23906908	IC, MC33078DR2
QH120	23318897	IC, PCM56P-L
QH121	23318897	IC, PCM56P-L
QH140	23318897	IC, PCM56P-L
QH141	23318897	IC, PCM56P-L
QH160	23318897	IC, PCM56P-L
QH161	23318897	IC, PCM56P-L
QH170	23906909	IC, MC33079DR2
QH171	23906909	IC, MC33079DR2
QH172	23906909	IC, MC33079DR2
QH173	23905320	IC, NM24C16EN
QH301	23358557	IC, AM-30-24CA
QH305	23906585	IC, NJM2058M-TE
QH306	23906585	IC, NJM2058M-TE
QH307	23906585	IC, NJM2058M-TE
QH308	23906429	IC, TC74HC123AF
QH309	23906429	IC, TC74HC123AF
QH401	23000820	IC, 8700CPN-3D9
QH402	70119743	IC, PST523D
QH404	23318977	IC, MC14052BFEL
QH405	23319595	IC, TC74HC244AF
QH406	23205054	Transistor, KTA1504Y-RT
QR14	23205054	Transistor, KTA1504Y-RT
QR15	23205054	Transistor, KTA1504Y-RT
QR16	23205054	Transistor, KTA1504Y-RT
QS01	23114623	Transistor, 2SC2878-A(TEM)
QS11	23114623	Transistor, 2SC2878-A(TEM)
QS12	23114466	Transistor, RN2204
QS13	23314965	Transistor, KTC3198 Y
QS14	23314965	Transistor, KTC3198 Y
QS107	23904896	IC, JLC1562BFEL
QS108	23205057	Transistor, KTA1504Y-RT
QS120	23906597	IC, BA4558F
QV01	23905539	IC, TA8851CN
QV10	23114528	Transistor, 2SC1740S, Q
QV20	23114460	Transistor, RN1204
QV21	23114528	Transistor, 2SC1740S, Q
QV22	23114530	Transistor, 2SA933S-Q
QV23	23114530	Transistor, 2SA933S-Q
QV28	23114461	Transistor, RN1203
QV30	23905590	IC, M52055FP
QV31	23205057	Transistor, KTA1504Y-RT
QV37	23205054	Transistor, KTA1504Y-RT
QV38	23205054	Transistor, KTA1504Y-RT
QV39	23205054	Transistor, KTA1504Y-RT
QV48	23114528	Transistor, 2SC1740S, Q
QV49	23114528	Transistor, 2SC1740S, Q

Location No.	Part No.	Description
QV61	23205045	Transistor, 2SA1037AKT1
QV61	23205054	Transistor, KTA1504Y-RT
QV501	23318981	IC, MC14053BFEL
QV504	23314289	Transistor, 2SA1586-Y(T
QV505	23314289	Transistor, 2SA1586-Y(T
QV506	23314289	Transistor, 2SA1586-Y(T
QV517	23314993	Transistor, 2SC4081T106
QV518	23314993	Transistor, 2SC4081T106
QV519	23314993	Transistor, 2SC4081T106
QV524	23314993	Transistor, 2SC4081T106
QW04	23205057	Transistor, KTA1504Y-RT
QW05	23205057	Transistor, KTA1504Y-RT
QW08	23205057	Transistor, KTA1504Y-RT
QW10	23205057	Transistor, KTA1504Y-RT
QW11	23205057	Transistor, KTA1504Y-RT
QW17	23114463	Transistor, RN1201
QX111	23314993	Transistor, 2SC4081T106
QX112	23904125	IC, TC4W53FU(T2
QX113	23314993	Transistor, 2SC4081T106
QX121	23314993	Transistor, 2SC4081T106
QX122	23904126	IC, TC4W66FU(T2
QX123	23314993	Transistor, 2SC4081T106
QX131	23314993	Transistor, 2SC4081T106
QX133	23314993	Transistor, 2SC4081T106
QX141	23314993	Transistor, 2SC4081T106
QX143	23314993	Transistor, 2SC4081T106
QX151	23314993	Transistor, 2SC4081T106
QX153	23314993	Transistor, 2SC4081T106
QX161	23314993	Transistor, 2SC4081T106
QX163	23314993	Transistor, 2SC4081T106
QX170	23000790	IC, BH7650FS(EL
QX201	23314993	Transistor, 2SC4081T106
QX202	23314993	Transistor, 2SC4081T106
QX206	23314993	Transistor, 2SC4081T106
QX207	23000263	IC, BU4053BCF-E2
QX211	23314993	Transistor, 2SC4081T106
QX212	23314292	Transistor, 2SA1586-Y(T
QX212	23314993	Transistor, 2SC4081T106
QX220	23905939	IC, TLC2933IPW
QX221	23318026	IC, TA78L05F(TE
QX222	23904396	IC, TC7S14F(T85
QX223	23905927	IC, TC7SH32FU(T
QX224	23906951	IC, SN74AHCT1G3
QX226	23314289	Transistor, 2SA1586-Y(T
QX226	23314994	Transistor, 2SA1576AT10
QX240	23905013	IC, TLC29321PW
QX242	23904396	IC, TC7S14F(T85
QX243	23905927	IC, TC7SH32FU(T
QX244	23906951	IC, SN74AHCT1G3
QX245	23318026	IC, TA78L05F(TE
QX246	23314289	Transistor, 2SA1586-Y(T
QX260	23905013	IC, TLC29321PW
QX261	23000283	IC, R1121N331B-
QX262	23318823	IC, TC7S04F T85
QX300	23000788	IC, MB87J4731
QX310	23000198	IC, EM636327Q-8
QX330	23000803	IC, UPC2925T-E1
QX340	23000282	IC, R1121N251B-
QX341	23314352	Transistor, IMT2 T108
QX342	23314352	Transistor, IMT2 T108
QX391	23314993	Transistor, 2SC4081T106
QX392	23314993	Transistor, 2SC4081T106
QX393	23314993	Transistor, 2SC4081T106
QX470	70129665	IC, TC74HCT32AF

Location No.	Part No.	Description
QX471	23314993	Transistor, 2SC4081T106
QX472	23314993	Transistor, 2SC4081T106
QX551	23314289	Transistor, 2SA1586-Y(T
QX552	23314289	Transistor, 2SA1586-Y(T
QX561	23314289	Transistor, 2SA1586-Y(T
QX562	23314289	Transistor, 2SA1586-Y(T
QX571	23314289	Transistor, 2SA1586-Y(T
QX572	23314289	Transistor, 2SA1586-Y(T
QX600	23000789	IC, MB87J8020
QX610	23000965	IC, V161610DTC-
QX630	23000803	IC, UPC2925T-E1
QX670	23000283	IC, R1121N331B-
QX691	70129042	IC, TC7SHU04F
QY01	23906335	IC, TA1270AF(J)
QY10	23314289	Transistor, 2SA1586-Y(T
QY12	23314289	Transistor, 2SA1586-Y(T
QY101	23314289	Transistor, 2SA1586-Y(T
QY116	23314993	Transistor, 2SC4081T106
QY213	23205014	Transistor, 2SC4667-O
QY260	23114528	Transistor, 2SC1740S, Q
QY501	23318981	IC, MC14053BFEL
QY504	23314289	Transistor, 2SA1586-Y(T
QY505	23314289	Transistor, 2SA1586-Y(T
QY506	23314289	Transistor, 2SA1586-Y(T
QY507	23314289	Transistor, 2SA1586-Y(T
QY508	23314289	Transistor, 2SA1586-Y(T
QY509	23314289	Transistor, 2SA1586-Y(T
QY524	23314993	Transistor, 2SC4081T106
QY600	23000936	IC, 44-10(TK201
QY621	23904396	IC, TC7S14F(T85
QY622	23904396	IC, TC7S14F(T85
QY661	23904396	IC, TC7S14F(T85
QY662	23904396	IC, TC7S14F(T85
QZ01	23000108	IC, μ PD64082
QZ02	23000438	IC, B416256A-35
QZ04	23314289	Transistor, 2SA1586-Y(T
QZ05	23314289	Transistor, 2SA1586-Y(T
QZ06	23314993	Transistor, 2SC4081T106
QZ14	23314289	Transistor, 2SA1586-Y(T
QZ16	23314993	Transistor, 2SC4081T106
QZ17	23314289	Transistor, 2SA1586-Y(T
QZ18	23314993	Transistor, 2SC4081T106
QZ20	23314993	Transistor, 2SC4081T106
QZ21	23314993	Transistor, 2SC4081T106
QZ22	23314993	Transistor, 2SC4081T106
QZ23	23314289	Transistor, 2SA1586-Y(T
QZ24	23314993	Transistor, 2SC4081T106
QZ100	23906515	IC, TC90A45F(EL
QZ101	23314993	Transistor, 2SC4081T106
QZ102	23314993	Transistor, 2SC4081T106
QZ103	23314289	Transistor, 2SA1586-Y(T
D101	23316755	Diode, Zener, MTZJ33C
D215	23118041	Diode, MA111-(TX)
D216	23118041	Diode, MA111-(TX)
D217	23118041	Diode, MA111-(TX)
D218	23118041	Diode, MA111-(TX)
D219	23118041	Diode, MA111-(TX)
D220	23118041	Diode, MA111-(TX)
D301	23118094	Diode, EU2A, LF-F1
D302	23316794	Diode, SC570ALFE2
D303	23118822	Diode, ERB12-02
D304	23118822	Diode, ERB12-02
D305	23118041	Diode, MA111-(TX)
D306	23316574	Diode, Zener, MA8062-M, T

Location No.	Part No.	Description
D311	23316682	Diode, Zener, MTZJ7.5C
D312	23316732	Diode, Zener, MTZJ18C
D313	23118859	Diode, 1SS133
D314	23118859	Diode, 1SS133
D315	23118859	Diode, 1SS133
D401	23118094	Diode, EU2A, LF-F1
D402	23118094	Diode, EU2A, LF-F1
D403	23316731	Diode, Zener, MTZJ18B
D404	23316254	Diode, ERC06-15L
D405	23118094	Diode, EU2A, LF-F1
D406	23118094	Diode, EU2A, LF-F1
D407	23316731	Diode, Zener, MTZJ18B
D408	23115910	Diode, S5295G
D409	23118094	Diode, EU2A, LF-F1
D411	23118094	Diode, EU2A, LF-F1
D412	23118041	Diode, MA111-(TX)
D413	23118707	Diode, RP 1H, LF-C
D414	23118707	Diode, RP 1H, LF-C
D416	23118041	Diode, MA111-(TX)
D417	23316591	Diode, Zener, MA8100-M, T
D418	23316591	Diode, Zener, MA8100-M, T
D461	23224366	Diode, FMQ-3GU
△D482	23115774	Diode, Zener, RD6.2E(4)
D520	23316647	Diode, Zener, MTZJ2.0B
D521	23118041	Diode, MA111-(TX)
D522	23118041	Diode, MA111-(TX)
D523	23118041	Diode, MA111-(TX)
D531	23316573	Diode, Zener, MA8062-L, T
D532	23118822	Diode, ERB12-02
D533	23316586	Diode, Zener, MA8082-H, T
D534	23316792	Diode, SC215
D601	23118041	Diode, MA111-(TX)
D602	23118041	Diode, MA111-(TX)
D603	23118041	Diode, MA111-(TX)
D604	23118041	Diode, MA111-(TX)
D607	23316616	Diode, Zener, MA8220-M, T
D608	23316616	Diode, Zener, MA8220-M, T
D611	23118041	Diode, MA111-(TX)
D612	23118041	Diode, MA111-(TX)
D661	23316570	Diode, Zener, MA8056-L, T
D704	23118859	Diode, 1SS133
D705	23118859	Diode, 1SS133
D715	23118859	Diode, 1SS133
D721	23118859	Diode, 1SS133
D761	23118859	Diode, 1SS133
D762	23118859	Diode, 1SS133
D763	23118859	Diode, 1SS133
D764	23118859	Diode, 1SS133
D781	23118859	Diode, 1SS133
D782	23118859	Diode, 1SS133
D783	23118859	Diode, 1SS133
D784	23118859	Diode, 1SS133
D801	23316784	Diode, RBV-1506, L
D840	23316962	Diode, S1WBA20 410
D845	23118859	Diode, 1SS133
D851	23357215	Diode, D4SBS6
D852	23316714	Diode, RL2Z, LF-A1
D853	23316714	Diode, RL2Z, LF-A1
D854	23316399	Diode, EL1Z, LF-F10
D855	23316399	Diode, EL1Z, LF-F10
D858	23118859	Diode, 1SS133
D859	23118859	Diode, 1SS133
D862	23118094	Diode, EU2A, LF-F1
D863	23118859	Diode, 1SS133

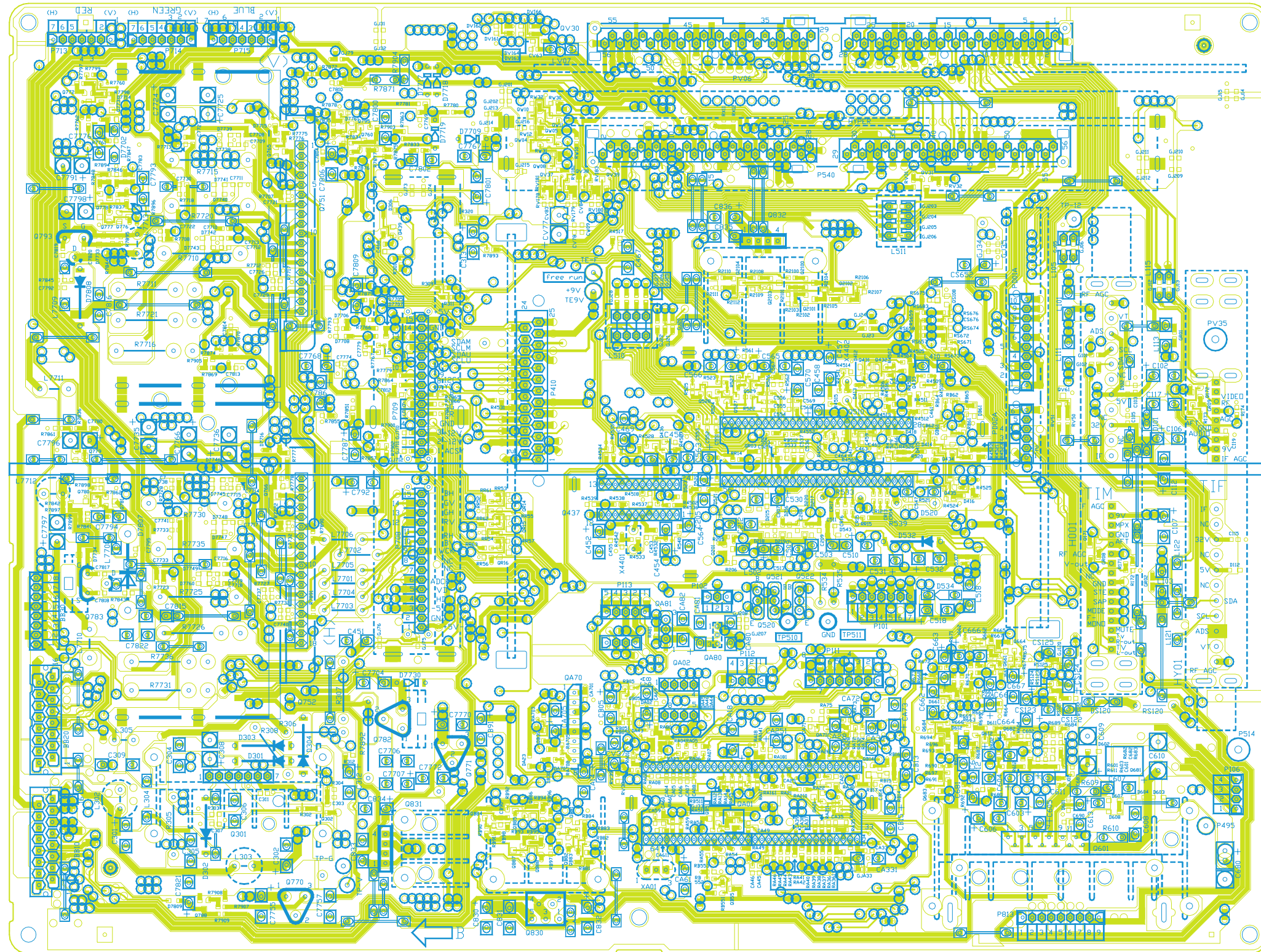
Location No.	Part No.	Description
D864	23118094	Diode, EU2A, LF-F1
D873	23316747	Diode, Zener, MTZJ27C
D875	23316688	Diode, Zener, MTZJ9.1C
D876	23316759	Diode, Zener, MTZJ36C
D877	23316747	Diode, Zener, MTZJ27C
D878	23316686	Diode, Zener, MTZJ9.1A
D884	23357217	Diode, D4SBL40
D885	23357216	Diode, D4SBL20U
D891	23357214	Diode, D4SBS4
D892	23316768	Diode, FMB-26L
D899	24019485	Varistor, TNR10V431K3
D901	23118859	Diode, 1SS133
D902	23118859	Diode, 1SS133
D911	23118859	Diode, 1SS133
D912	23118859	Diode, 1SS133
D916	23115337	Diode, 1S1834
D921	23118859	Diode, 1SS133
D922	23118859	Diode, 1SS133
D924	23118859	Diode, 1SS133
D925	23118859	Diode, 1SS133
D931	23118859	Diode, 1SS133
D932	23118859	Diode, 1SS133
D933	23118859	Diode, 1SS133
D934	23118859	Diode, 1SS133
D936	23115337	Diode, 1S1834
D941	23118859	Diode, 1SS133
D942	23118859	Diode, 1SS133
D943	23118859	Diode, 1SS133
D946	23118859	Diode, 1SS133
D948	23118859	Diode, 1SS133
D962	23118859	Diode, 1SS133
D963	23118859	Diode, 1SS133
D964	23118859	Diode, 1SS133
D965	23118859	Diode, 1SS133
D966	23118859	Diode, 1SS133
D967	23115337	Diode, 1S1834
D5001	23316963	Diode, 1SS344 TE85
D5002	23316963	Diode, 1SS344 TE85
D7702	23118859	Diode, 1SS133
D7705	23118041	Diode, MA111-(TX)
D7706	23118041	Diode, MA111-(TX)
D7707	23118041	Diode, MA111-(TX)
D7708	23118041	Diode, MA111-(TX)
D7709	23118538	Diode, Zener, RD6.2ESA B2
D7709	23316675	Diode, Zener, MTZJ6.2B
D7715	23118041	Diode, MA111-(TX)
D7716	23118041	Diode, MA111-(TX)
D7717	23118538	Diode, Zener, RD6.2ESA B2
D7718	23118538	Diode, Zener, RD6.2ESA B2
D7719	23118538	Diode, Zener, RD6.2ESA B2
D7733	23118275	Diode, Zener, RD18M-T1BB2
D7734	23118275	Diode, Zener, RD18M-T1BB2
D7738	23118041	Diode, MA111-(TX)
D7739	23118041	Diode, MA111-(TX)
D7740	23118041	Diode, MA111-(TX)
D7741	23118041	Diode, MA111-(TX)
D7742	23118041	Diode, MA111-(TX)
D7743	23118041	Diode, MA111-(TX)
D7745	23118041	Diode, MA111-(TX)
D7746	23118041	Diode, MA111-(TX)
D7747	23118041	Diode, MA111-(TX)
D7748	23118041	Diode, MA111-(TX)
D7749	23118041	Diode, MA111-(TX)
D7760	23118041	Diode, MA111-(TX)

Location No.	Part No.	Description
D7806	23118041	Diode, MA111-(TX)
D7807	23316402	Diode, RL4Z, LF-L1
D7808	23316766	Diode, RU2YX, LF-C
D7809	23118041	Diode, MA111-(TX)
DA02	23316574	Diode, Zener, MA8062-M, T
DA11	23118859	Diode, 1SS133
DA23	23118041	Diode, MA111-(TX)
DA43	23118041	Diode, MA111-(TX)
DA44	23118041	Diode, MA111-(TX)
DA45	23118041	Diode, MA111-(TX)
DA46	23118041	Diode, MA111-(TX)
DA70	23118041	Diode, MA111-(TX)
DB01	23358564	Diode (LED), SLR-56VC3FP
DB03	23358522	Diode (LED), SIR-56SB3F
DB30	23118041	Diode, MA111-(TX)
DB31	23118041	Diode, MA111-(TX)
DB61	23118041	Diode, MA111-(TX)
DH001	23316675	Diode, Zener, MTZJ6.2B
DH002	23316675	Diode, Zener, MTZJ6.2B
DH003	23316675	Diode, Zener, MTZJ6.2B
DH301	23316672	Diode, Zener, MTZJ5.6B
DH302	23316672	Diode, Zener, MTZJ5.6B
DH303	23316672	Diode, Zener, MTZJ5.6B
DH304	23316672	Diode, Zener, MTZJ5.6B
DH305	23316672	Diode, Zener, MTZJ5.6B
DH306	23316672	Diode, Zener, MTZJ5.6B
DH307	23316672	Diode, Zener, MTZJ5.6B
DH308	23316672	Diode, Zener, MTZJ5.6B
DH309	23118859	Diode, 1SS133
DH310	23118859	Diode, 1SS133
DH311	23118859	Diode, 1SS133
DH312	23118859	Diode, 1SS133
DH313	23316666	Diode, Zener, MTZJ4.7B
DH314	23316666	Diode, Zener, MTZJ4.7B
DH315	23316666	Diode, Zener, MTZJ4.7B
DH316	23316666	Diode, Zener, MTZJ4.7B
DH401	23316574	Diode, Zener, MA8062-M, T
DR10	23118041	Diode, MA111-(TX)
DR11	23118041	Diode, MA111-(TX)
DR12	23118041	Diode, MA111-(TX)
DR13	23118041	Diode, MA111-(TX)
DR14	23118041	Diode, MA111-(TX)
DR15	23118041	Diode, MA111-(TX)
DS120	23316740	Diode, Zener, MTZJ22D
DV01	23316686	Diode, Zener, MTZJ9.1A
DV02	23316686	Diode, Zener, MTZJ9.1A
DV03	23316686	Diode, Zener, MTZJ9.1A
DV07	23316686	Diode, Zener, MTZJ9.1A
DV08	23316686	Diode, Zener, MTZJ9.1A
DV09	23316686	Diode, Zener, MTZJ9.1A
DV11	23316686	Diode, Zener, MTZJ9.1A
DV12	23316686	Diode, Zener, MTZJ9.1A
DV13	23316686	Diode, Zener, MTZJ9.1A
DV17	23316686	Diode, Zener, MTZJ9.1A
DV18	23316686	Diode, Zener, MTZJ9.1A
DV25	23118859	Diode, 1SS133
DV30	23316792	Diode, SC215
DV31	23316672	Diode, Zener, MTZJ5.6B
DV39	23358543	Diode, S7565
DV161	23316591	Diode, Zener, MA8100-M, T
DV162	23316591	Diode, Zener, MA8100-M, T
DV163	23316591	Diode, Zener, MA8100-M, T
DV164	23316591	Diode, Zener, MA8100-M, T
DV165	23316591	Diode, Zener, MA8100-M, T

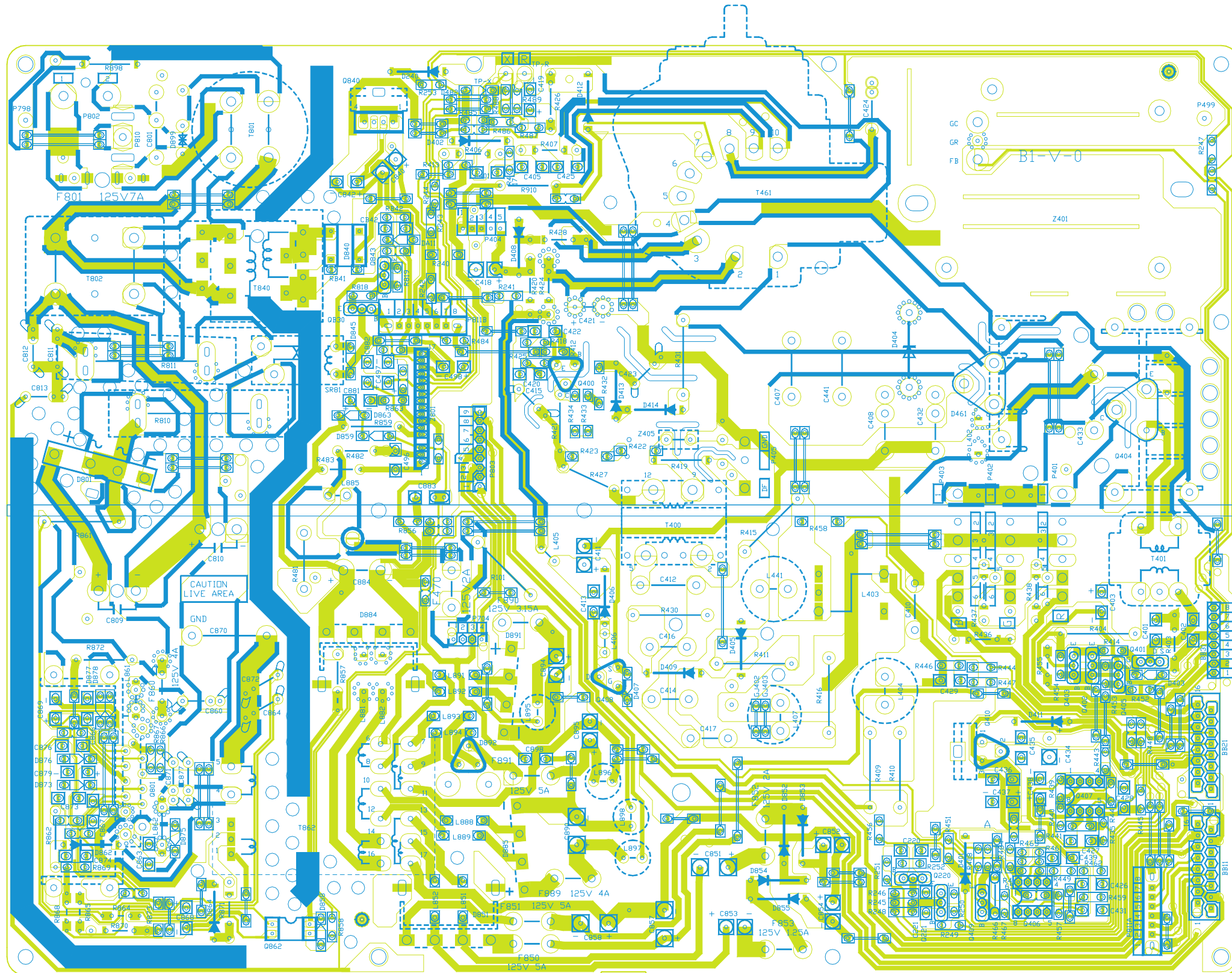
Location No.	Part No.	Description
DV166	23316591	Diode, Zener, MA8100-M, T
MISCELLANEOUS		
F470	23144624	Fuse, 2.0A, 125V
F801	23144481	Fuse, 7.0A, 125V
F850	23144627	Fuse, 5.0A, 125V
F851	23144627	Fuse, 5.0A, 125V
F852	23144624	Fuse, 2.0A, 125V
F853	23144622	Fuse, 1.25A, 125V
F860	23144511	Fuse, 4.0A, 125V
F889	23144626	Fuse, 4.0A, 125V
F890	23144625	Fuse, 3.15A, 125V
F891	23144627	Fuse, 5.0A, 125V
G101	24011151	Chip, 150 ohm, 1/20W
G102	24011151	Chip, 150 ohm, 1/20W
H003	23124083	Antenna SW, RSU135
KB01	23000852	Remote Sensor, PIC-37043TE
S602	23145412	Switch, Slide, 2C2P
SA01	23145226	Switch, Push, 1C1P
SA02	23145226	Switch, Push, 1C1P
SA03	23145226	Switch, Push, 1C1P
SA04	23145226	Switch, Push, 1C1P
SA05	23145226	Switch, Push, 1C1P
SA06	23145226	Switch, Push, 1C1P
SA07	23145226	Switch, Push, 1C1P
SA08	23145226	Switch, Push, 1C1P
SA09	23145226	Switch, Push, 1C1P
SR81	23146577	Relay, DLS5D1-O(M) 0.25W
V901A	23903148	Socket, CRT
V902A	23903148	Socket, CRT
V903A	23903148	Socket, CRT
W661	23151232	Speaker, SPK-1235, 160X160mm, 8 ohm
W662	23151232	Speaker, SPK-1235, 160X160mm, 8 ohm
X401	23153721	Ceramic Resonator, 503kHz, TCR1023
X501	23153961	Crystal, 3.58MHz
X4401	23153721	Ceramic Resonator, 503kHz, TCR1023
X4402	23153721	Ceramic Resonator, 503kHz, TCR1023
XA01	23153533	Ceramic Resonator, 8.00MHz, TCR1082A
XH401	23153752	Crystal, 8.000MHz
XY01	23153961	Crystal, 3.58MHz
XY03	23153721	Ceramic Resonator, 503kHz, TCR1023
△ Z401	24083013	CR Block, TPA5010AH
Z405	23140203	SG-GAP, SG99B3EN
Z410	23110842	Focus Pack, TPA6031
△ Z801	23148734	Module, HIC1026A, PROTECTOR, HIC1026
ZH04	23103778	Coil (Ferrite Bead), TFE1008
ZH001	23103823	Coil, TEM2027D
ZH002	23103823	Coil, TEM2027D
ZH121	23103823	Coil, TEM2027D
ZH122	23103823	Coil, TEM2027D
ZH141	23103823	Coil, TEM2027D
ZH142	23103823	Coil, TEM2027D
ZH161	23103823	Coil, TEM2027D
ZH162	23103823	Coil, TEM2027D
ZH408	23103823	Coil, TEM2027D
ZX821	23246195	Chip (Ferrite Bead), TRF41R0C

Location No.	Part No.	Description
ZX822	23246195	Chip (Ferrite Bead), TRF41R0C
ZX823	23246195	Chip (Ferrite Bead), TRF41R0C
PC BOARD ASSEMBLIES		
* U401	23786220	DPC Board, PD0077A
* U801	23786217	DEF/POWER Board, PD0074A
* U901	23786216	SIGNAL CONV Board, PD0073A
* UA01	23708378	CRT Drive/SVM Board, PD0080A
* UA02	23708379	Front Board, PD0081
* UD01	23786219	SRS-3D Board, PD0076A
* UH01	23786221	DIGI-CONV Board, PD0078A
* UH02	23708377	CONV-SEN Board, PD0079
* UV01	23786218	A/V Board, PD0075A
* UZ01	23786198	NEXT HYPER Board, PD0264A
PICTURE TUBE		
△ V901	23312887	Picture Tube, P16LFM00R(L
△ V902	23312888	Picture Tube, P16LFMOOH(L
△ V902G	23008175	Protector Coupling G
△ V903	23312837	Projection Tube Ass'y, CRT(H),P16LFM00BMB(EU),B
△ V903B	23008176	Protector Coupling B
TUNER		
H001	23321411	Tuner, EL967LW
HY01	23321412	Tuner, EL963L
ACCESSORIES		
K912	23306413	Remote Hand Unit, CT-90086
AT03	23588181	Battery Cover
Y101	23565268	Owner's Manual, English, 50H81
Y101F	23565269	Owner's Manual, French, 50H81
CABINET PARTS		
A101	23411524	Wood Cabinet Assy
A102	23527171	Speaker Grille Assy
A160	23469228	Caster
A202	23450360	Control Panel Assy
A212	23450359	Control Panel Prpper
A213	23427953	Door Proper
A214	23451976	Push, Catch
A268	23540543	Front Cover
A421	23540170	Rear Cover
A701	23064536	Carton
A703	23946194	Packing, Top
K501	23311853	SCREEN 50KL LENTI
K502	23311854	SCREEN 50KL FRESNEL
K503	23311855	SCREEN PROTEC
K601	23405012	MIRROR 50WL

SIGNAL BOARD PD0073
BOTTOM (FOIL) SIDE

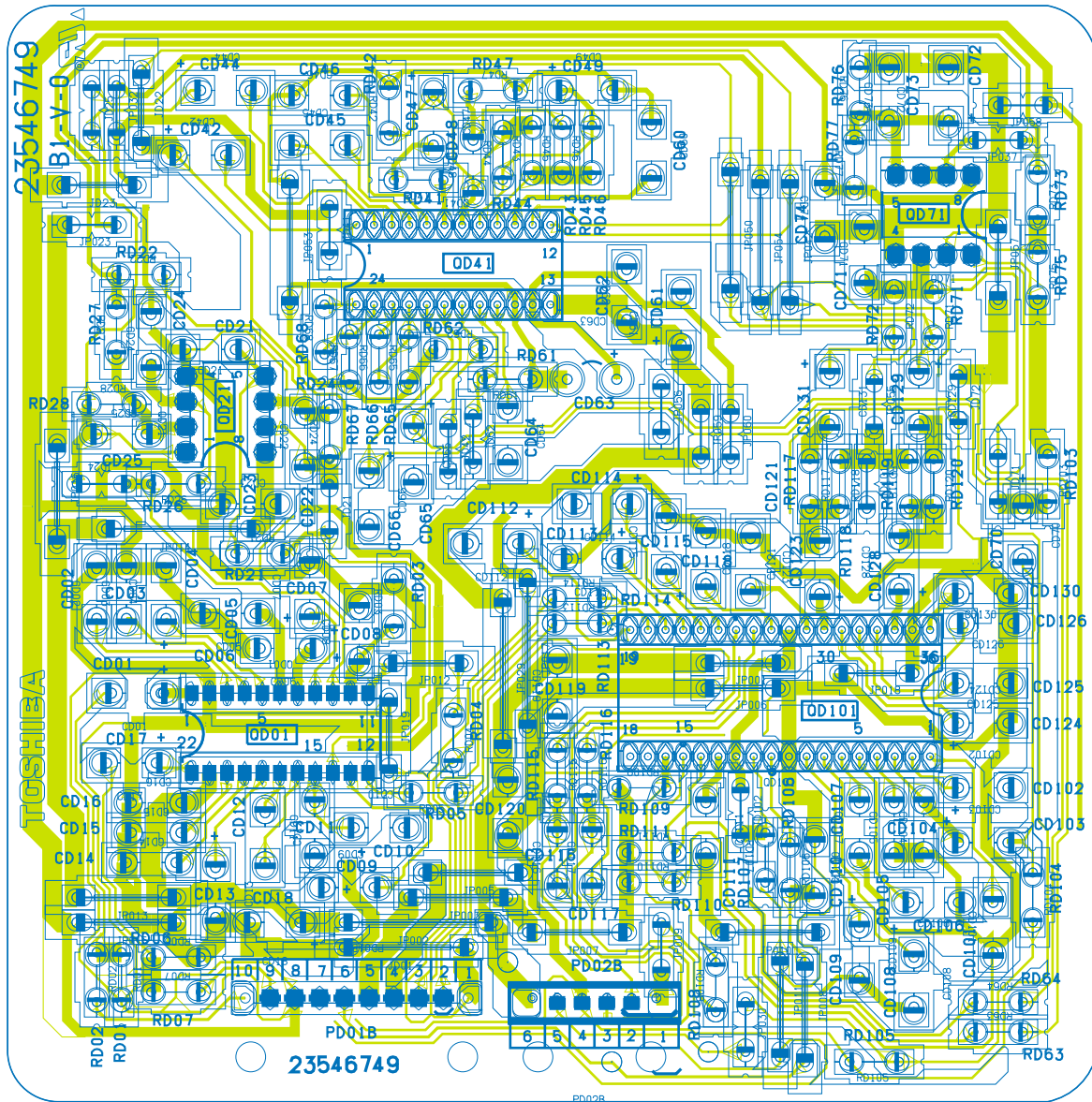


DEF/POWER BOARD PD0074
BOTTOM (FOIL) SIDE

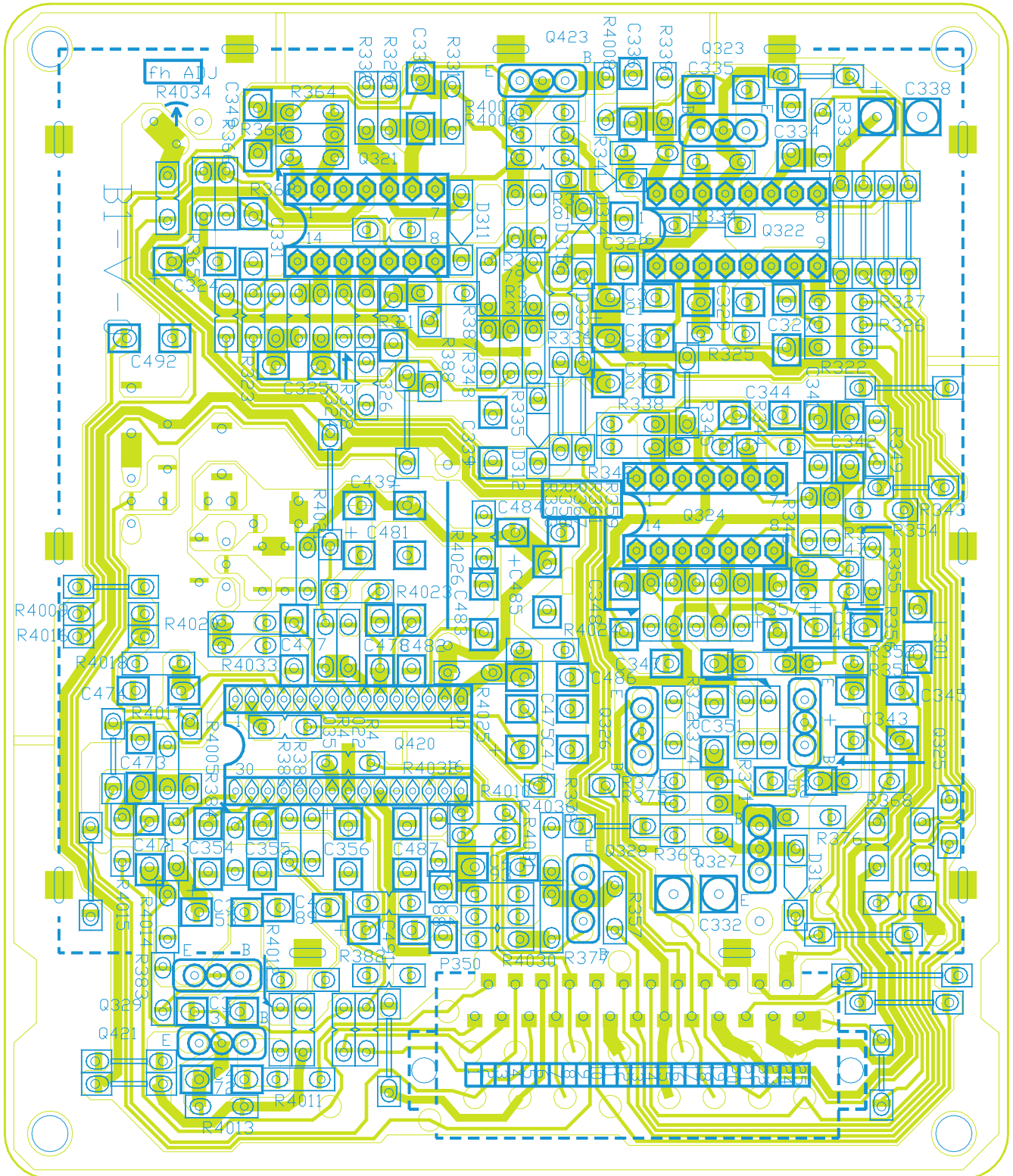


SRS-3D BOARD PD0076

BOTTOM (FOIL) SIDE



DPC BOARD PD0077
BOTTOM (FOIL) SIDE



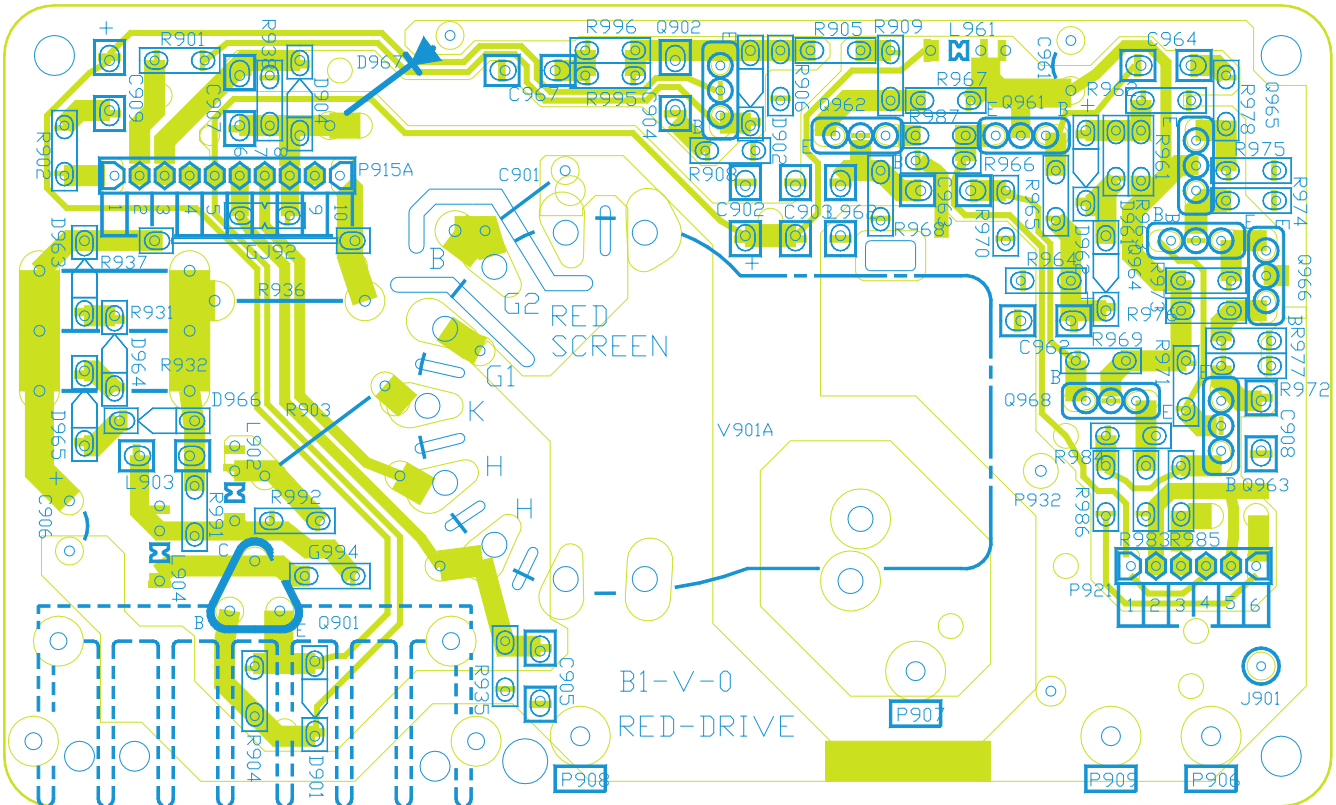
CONV-SEN BOARD PD0079

BOTTOM (FOIL) SIDE

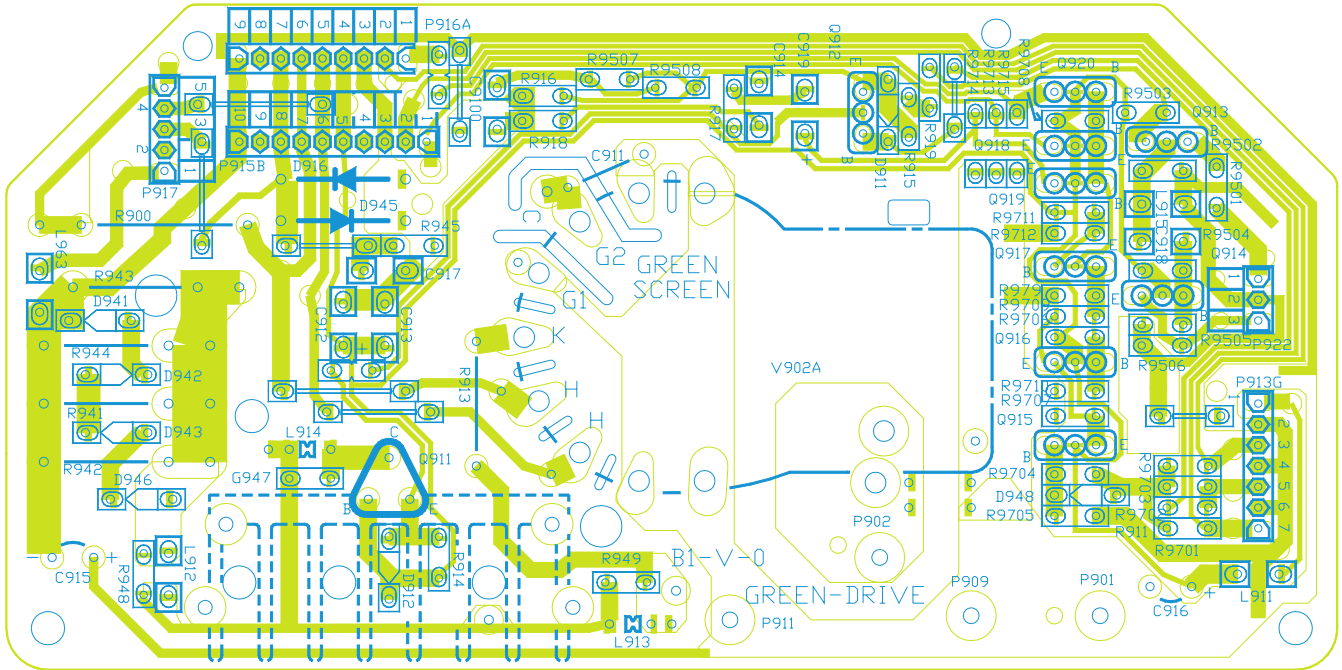


CRT DRIVE(RED) BOARD PD0080

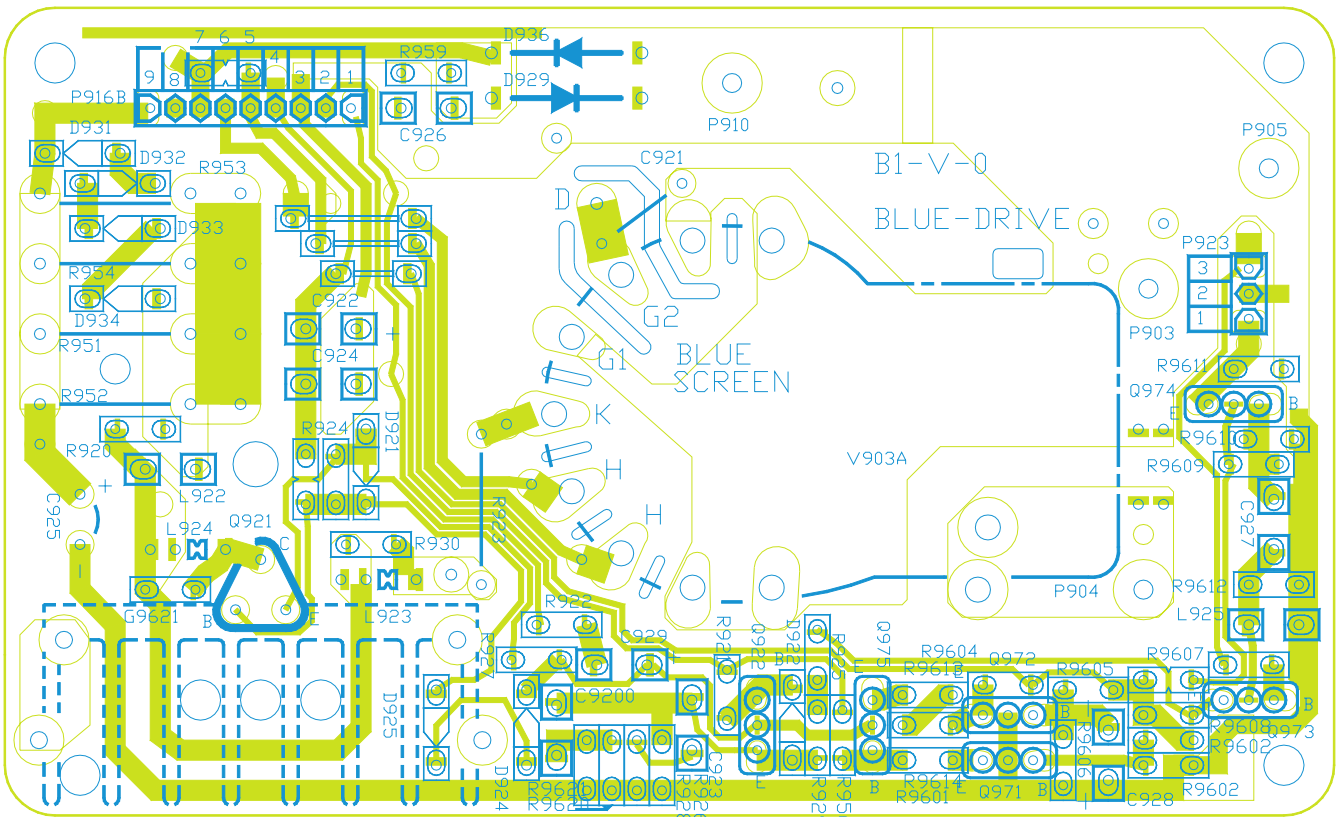
BOTTOM (FOIL) SIDE



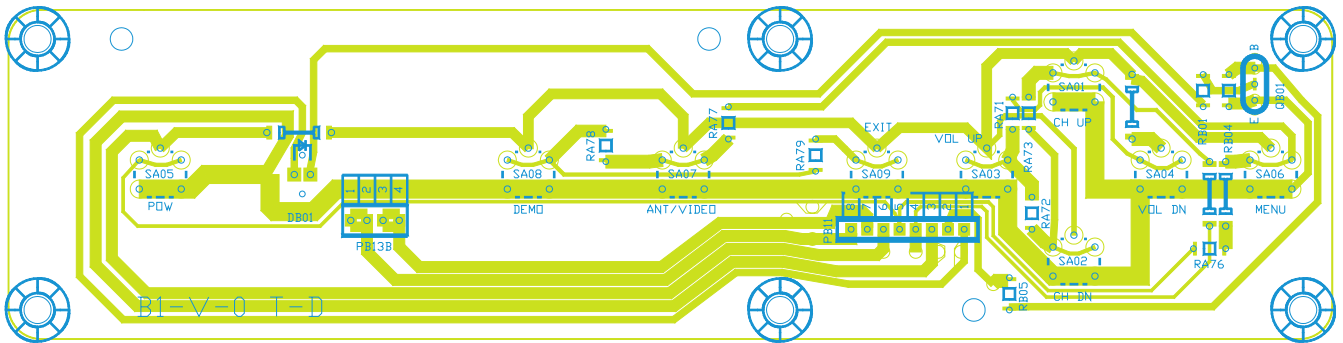
CRT DRIVE(GRN) BOARD PD0080
BOTTOM (FOIL) SIDE



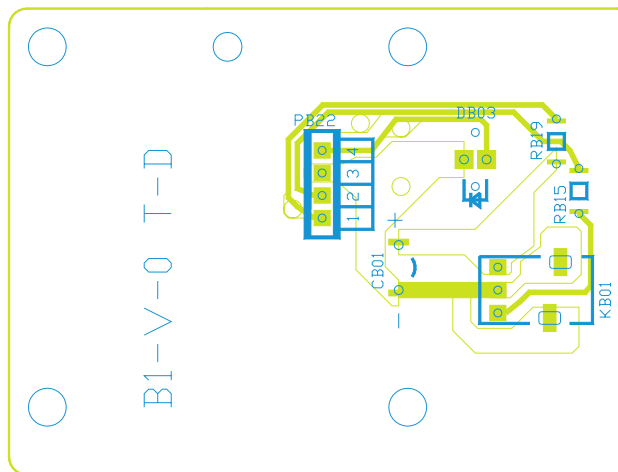
CRT DRIVE(BLE) BOARD PD0080
BOTTOM (FOIL) SIDE



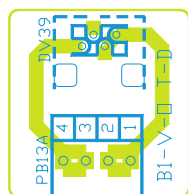
FRONT BOARD PD0081
BOTTOM (FOIL) SIDE



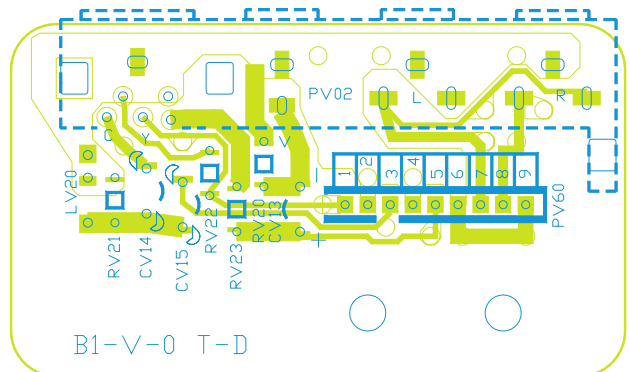
FRONT BOARD PD0081
BOTTOM (FOIL) SIDE



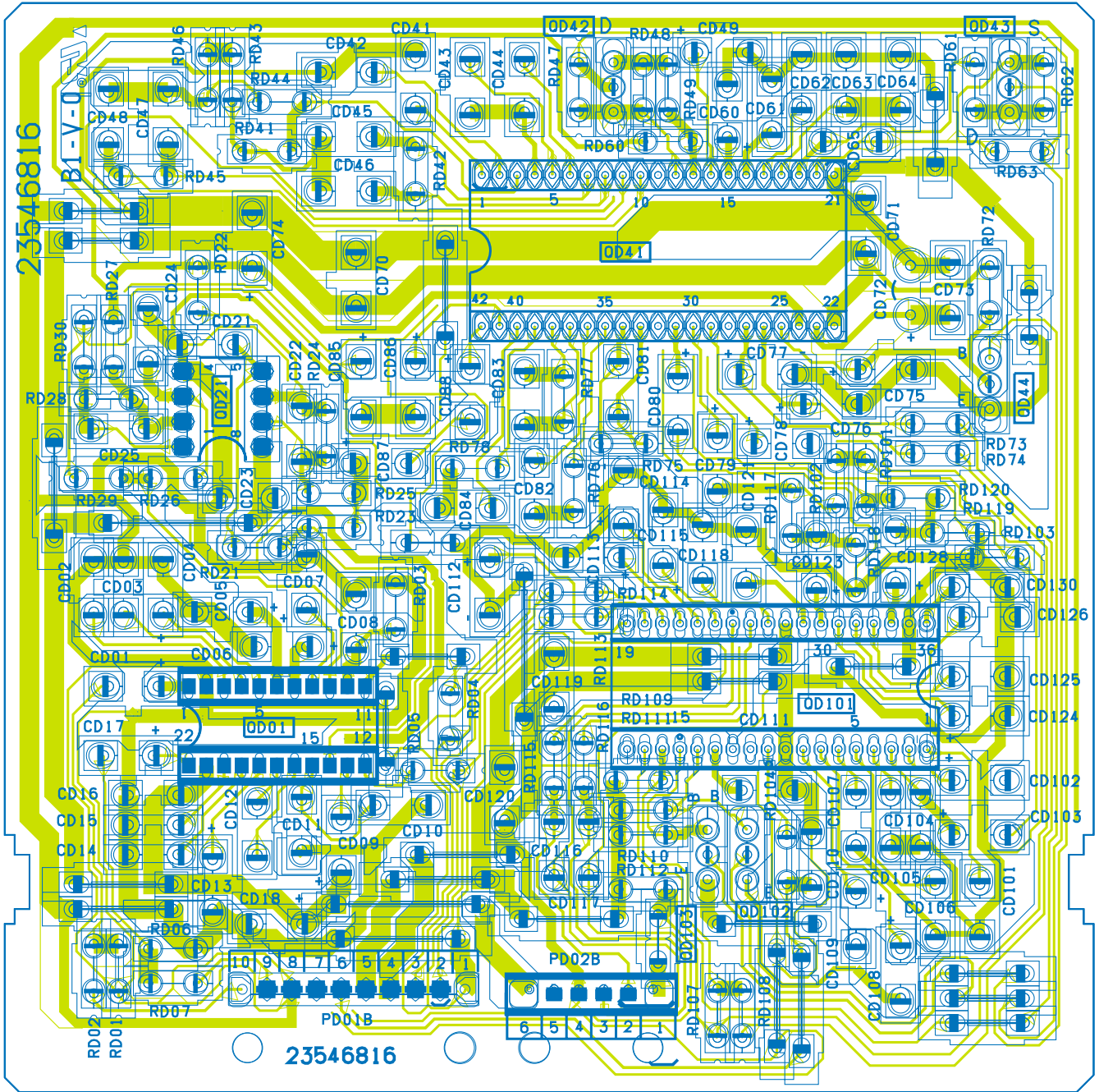
FRONT BOARD PD0081
BOTTOM (FOIL) SIDE



FRONT BOARD PD0081
BOTTOM (FOIL) SIDE

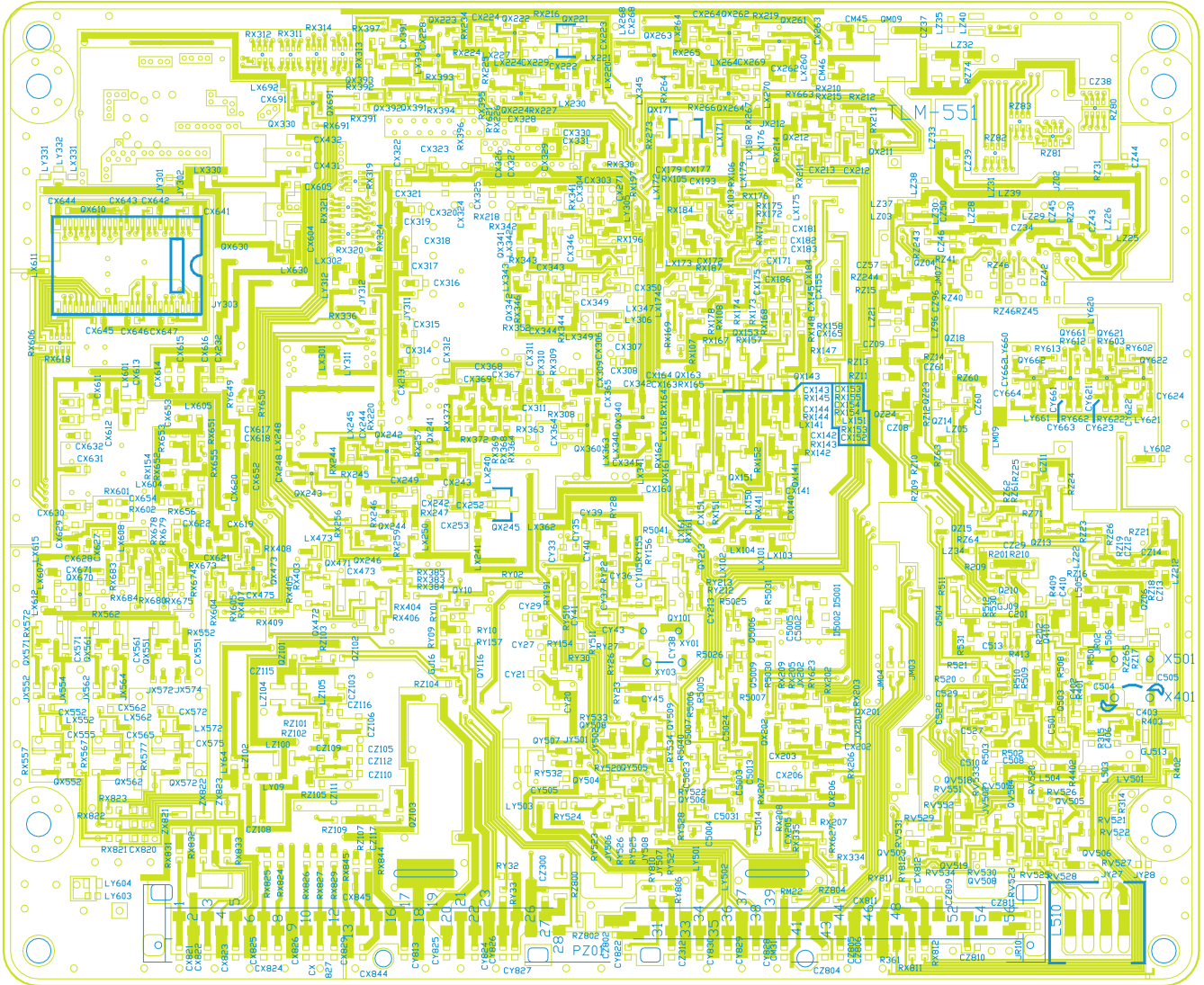


WOW BOARD PD0220
BOTTOM (FOIL) SIDE



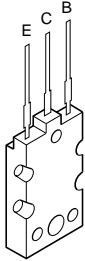
NEXT HYPER BOARD PD0264

BOTTOM (FOIL) SIDE

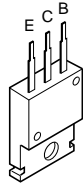


TERMINAL VIEW OF TRANSISTORS

① 2SC5144



② 2SC3852
2SD1763A
2SC1569
2SC4544
2SA1788
2SA1306
2SA1186A



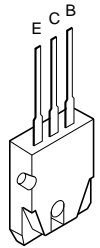
③ 2SC752GTM
2SC2482
2SC2655
2SC4721P



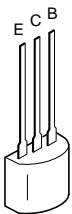
④ 2SC752
2SA562TM
2SA1015
2SC1815
2SC2878
2SC1740S
2SC2120
2SA9335



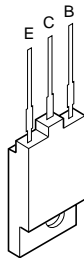
⑤ 2SA1788



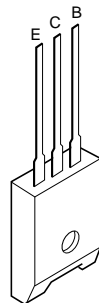
⑥ RN2203
RN2201
RN2004
RN1203
RN1204
RN2204
RN1205
RN1202
RN1201



⑦ 2SD1554
2SD2253
2SD1556
2SD2553
2SC5143



⑧ ON4409



SPECIFICATIONS							
TELEVISION SYSTEM	NTSC standard						
CHANNEL COVERAGE	VHF: 2 through 13 UHF: 14 through 69 Cable TV: Mid band (A-8 through A-1, A through I) Super band (J through W) Hyper band (AA through ZZ, AAA, BBB) Ultra band (65 through 94, 100 through 125)						
POWER SOURCE	120 V AC, 60 Hz						
POWER CONSUMPTION	189W (Average)						
AUDIO POWER	15 W + 15 W						
SPEAKER TYPE	Two 6-5/16 inches (16 cm) round						
VIDEO/AUDIO TERMINALS	<p>S-VIDEO INPUT Y-INPUT: 1V (p-p), 75 ohm, negative sync. C-INPUT: 0.286 V(p-p) (burst signal), 75 ohm</p> <p>VIDEO/AUDIO INPUT VIDEO: 1 V(p-p), 75 ohm, negative sync. AUDIO: 150 mV(rms) (30% modulation equivalent, 47 kohm)</p> <p>ColorStream™ (Component video) INPUT Y-INPUT: 1 V(p-p), 75 ohm Pr-INPUT: 0.7 V(p-p), 75 ohm Pb-INPUT: 0.7 V(p-p), 75 ohm AUDIO: 150mV(rms). 47 kohm</p> <p>VIDEO/AUDIO OUTPUT VIDEO: 1 V(p-p), 75 ohm, negative sync. AUDIO: 150 mV(rms) (30% modulation equivalent, 4.7 kohm)</p> <p>VARIABLE AUDIO OUTPUT 0-300 mV(rms) (30% modulation equivalent, 4.7 kohm)</p> <p>AUDIO CENTER CHANNEL INPUT 300 mV(rms) (30% modulation equivalent, 10 kohm)</p>						
DIMENSIONS/MASS	<table border="1" style="width: 100%; border-collapse: collapse;"> <thead> <tr> <th style="width: 20%;"></th> <th style="width: 50%;">Dimension (W/H/D)</th> <th style="width: 30%;">Mass</th> </tr> </thead> <tbody> <tr> <td style="text-align: center;">50H81</td> <td style="text-align: center;">46-1/8 x 50-3/8 x 21-7/8 inches (1,172 x 1,280 x 555 mm)</td> <td style="text-align: center;">320 lbs (145.3 kg)</td> </tr> </tbody> </table>		Dimension (W/H/D)	Mass	50H81	46-1/8 x 50-3/8 x 21-7/8 inches (1,172 x 1,280 x 555 mm)	320 lbs (145.3 kg)
	Dimension (W/H/D)	Mass					
50H81	46-1/8 x 50-3/8 x 21-7/8 inches (1,172 x 1,280 x 555 mm)	320 lbs (145.3 kg)					
SUPPLIED ACCESSORIES	Remote Control with 2 size "AA" alkaline batteries						

*Please refer to owner's manual in detail.

TOSHIBA CORPORATION
1-1, SHIBAURA 1-CHOME, MINATO-KU, TOKYO 105-8001, JAPAN